

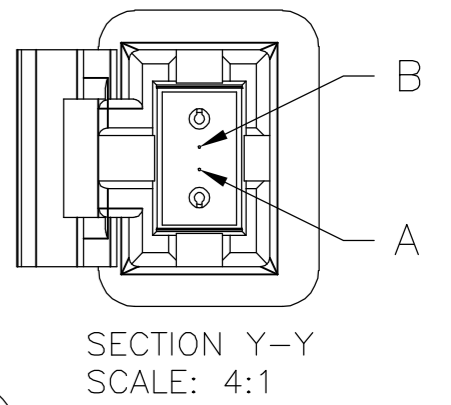
THIS DRAWING IS UNPUBLISHED. RELEASED FOR PUBLICATION
 © COPYRIGHT BY TYCO ELECTRONICS CORPORATION. ALL RIGHTS RESERVED.

| LOC | DIST | REVISIONS | | | |
|-----|------|---------------|-----------|-----|------|
| P | LTR | DESCRIPTION | DATE | DWN | APVD |
| H | - | | | | |
| B | | ECR-07-003758 | 22-FEB-07 | RC | TvdM |

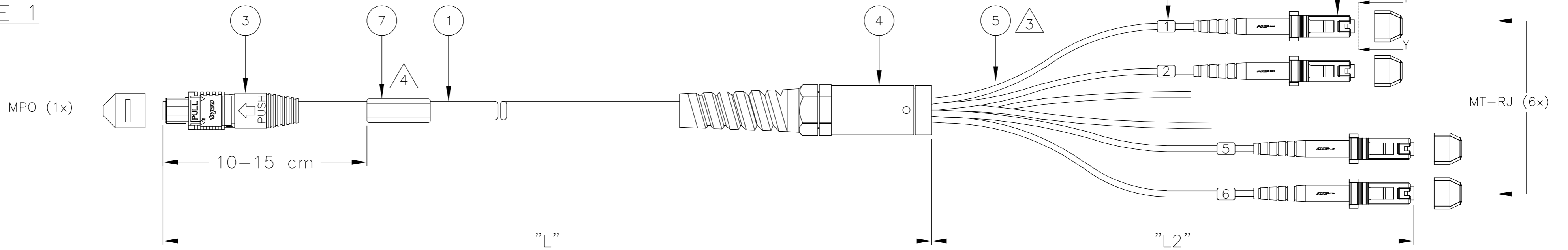
NOTE:

TWO DIFFERENT BREAK OUT ASSEMBLIES:

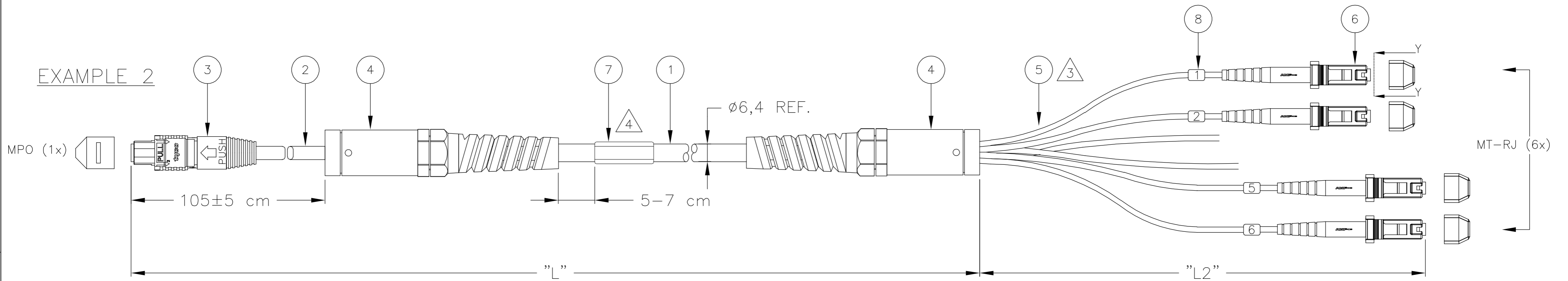
- EXAMPLE 1: FOR LENGTHS ≤ 10 meter, RIBBON CABLE WITH 1 FAN-OUT
- EXAMPLE 2: FOR LENGTHS > 10 meter, ROUND CABLE WITH 2 FAN-OUTS



EXAMPLE 1



EXAMPLE 2



| | | | | | |
|---|--|--|---|--------------------|--|
| THIS DRAWING IS A CONTROLLED DOCUMENT. | | DWN R. COOLEN 08SEP2006 | tyco Electronics | | Tyco Electronics Nederland BV 's-Hertogenbosch, Netherlands |
| DIMENSIONS: mm | | CHK A. HENGELMOLEN 22 FEB 07 | NAME FOBRO SM 9/125 OS2 LEAD 12FOLD MPO/FEMALE - 6x MT-RJ | | |
| TOLERANCES UNLESS OTHERWISE SPECIFIED: | | APVD T. vd. MEULEN 22 FEB 07 | SIZE A2 | CAGE CODE 00779 | DRAWING NO C=6391958 |
| 0 PLC ± - 1 PLC ± - 2 PLC ± - 3 PLC ± - 4 PLC ± - ANGLES ± - FINISH | | PRODUCT SPEC APPLICATION SPEC WEIGHT CUSTOMER DRAWING | RESTRICTED TO - | | SCALE NTS |
| MATERIAL - | | SHEET 1 of 2 | | REV B | |

6391958

THIS DRAWING IS UNPUBLISHED. RELEASED FOR PUBLICATION
 © COPYRIGHT BY TYCO ELECTRONICS CORPORATION. ALL RIGHTS RESERVED.

| LOC | | DIST | | REVISIONS | | | |
|-----|-----|-------------|------|-----------|------|--|--|
| P | LTR | DESCRIPTION | DATE | DWN | APVD | | |
| H | - | SEE SHEET 1 | - | - | - | | |

| PART NUMBER | LENGTH "L" (m) |
|-------------|----------------|
| 0-6391958-5 | 5,0 -0/+0,1 |
| 1-6391958-0 | 10,0 -0/+0,1 |
| 1-6391958-5 | 15,0 -0/+0,2 |
| 2-6391958-0 | 20,0 -0/+0,2 |

| MTRJ CONNECTOR | CABLE MARKER | "L2" (meter) |
|----------------|--------------|--------------|
| 1 | 1 | 0,4 -0/+0,1 |
| 2 | 2 | 0,4 -0/+0,1 |
| 3 | 3 | 0,5 -0/+0,1 |
| 4 | 4 | 0,5 -0/+0,1 |
| 5 | 5 | 0,6 -0/+0,1 |
| 6 | 6 | 0,6 -0/+0,1 |


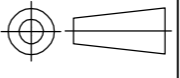
3

NOTES:

- 1 MPO CONNECTOR:
 INSERTION LOSS ≤ 1,0dB, RANDOM MATED AT 1310nm
 RETURN LOSS > 35dB, RANDOM MATED AT 1310nm
- 2 MTRJ CONNECTORS:
 INSERTION LOSS ≤ 0,75dB, RANDOM MATED AT 1310nm
 RETURN LOSS > 35dB, RANDOM MATED AT 1310nm
- 3 2mm JACKET TUBINGS, FOR LENGTHS SEE TABLE
- 4 INFORMATION ON LABEL:
 - BARCODE
 - PART NUMBER & FACTORY ORDER NUMBER
 - CABLE LENGTH ("L")
 - UNIQUE SERIAL NUMBER
 - CONNECTIVITY: "STRAIGHT"
- 5 TEST RESULT SHEET SUPPLIED WITH EACH INDIVIDUALLY PACKED ASSEMBLY
- 6 PACKAGING:
 - LENGTHS ≤ 10 meter IN A BAG
 - 10 < LENGTHS ≤ 40 meter IN A BOX
 - LENGTHS > 40 meter ON A REEL

3
4

| LENGTHS > 10meter | LENGTHS ≤ 10meter | Qty | Description | Item |
|-------------------|-------------------|-----|--|------|
| 6 | 6 | 8 | FOAC CABLE MARKER | 8 |
| 1 | 1 | 7 | INFORMATION LABEL | 7 |
| 6 | 6 | 6 | MTRJ CONNECTOR SINGLE MODE | 6 |
| AR | AR | 5 | FOAC JACKET WITH KEVLAR, YELLOW | 5 |
| 2 | 1 | 4 | FOAC FAN-OUT KIT | 4 |
| 1 | 1 | 3 | MPO CONNECTOR SINGLE MODE FEMALE | 3 |
| AR | - | 2 | FURCATION TUBE YELLOW | 2 |
| L | - | 1 | FOCAB SM 9/125 OS1 12FOLD YELLOW LSZH | 1 |
| - | L | 1 | FOCAB SM 9/125 OS1 12FOLD RIBBON YELLOW LSZH | 1 |

| | | | | |
|---|--|---|--|--|
| THIS DRAWING IS A CONTROLLED DOCUMENT. | | DWN R. COOLEN 08SEP2006 |  Tyco Electronics Nederland BV 's-Hertogenbosch, Netherlands | |
| DIMENSIONS: mm | | CHK A. HENGELMOLEN 22 FEB 07 | NAME T. vd. MEULEN 22 FEB 07 | |
|  | | TOLERANCES UNLESS OTHERWISE SPECIFIED: 0 PLC ± - 1 PLC ± - 2 PLC ± - 3 PLC ± - 4 PLC ± - ANGLES ± - FINISH - | | PRODUCT SPEC APPLICATION SPEC WEIGHT - |
| MATERIAL - | | SIZE A2 CAGE CODE 00779 DRAWING NO. C=6391958 RESTRICTED TO - | | |
| CUSTOMER DRAWING | | SCALE NTS | SHEET 2 of 2 | REV B |

6391958