

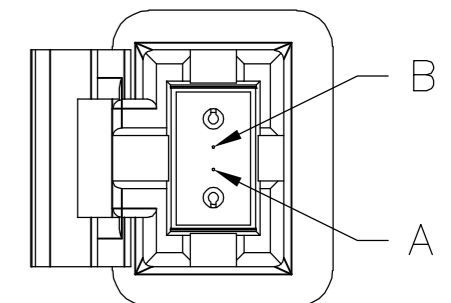
THIS DRAWING IS UNPUBLISHED. RELEASED FOR PUBLICATION  
 © COPYRIGHT BY TYCO ELECTRONICS CORPORATION. ALL RIGHTS RESERVED.

LOC	DIST	REVISIONS			
P	LTR	DESCRIPTION	DATE	DWN	APVD
H	-				
C		ECR-07-003758	22-FEB-07	RC	TvdM

NOTE:

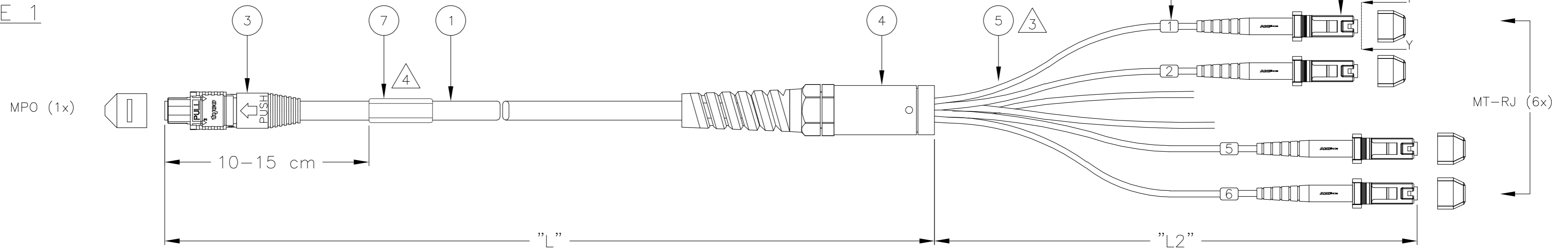
TWO DIFFERENT BREAK OUT ASSEMBLIES:

- EXAMPLE 1: FOR LENGTHS ≤ 10 meter, RIBBON CABLE WITH 1 FAN-OUT
- EXAMPLE 2: FOR LENGTHS > 10 meter, ROUND CABLE WITH 2 FAN-OUTS

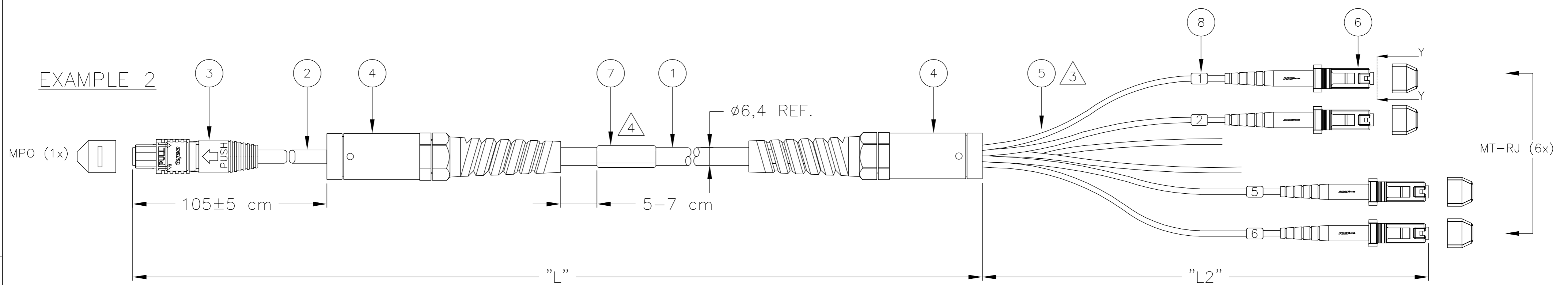


SECTION Y-Y SCALE: 4:1

EXAMPLE 1



EXAMPLE 2



THIS DRAWING IS A CONTROLLED DOCUMENT.		DWN R. COOLEN 08SEP2006	<b>tyco</b> Electronics		Tyco Electronics Nederland BV 's-Hertogenbosch, Netherlands
DIMENSIONS: mm		CHK A. HENGELMOLEN 22 FEB 07	NAME FOBRO MM50 OM2 LEAD 12FOLD MPO/FEMALE - 6x MT-RJ		
TOLERANCES UNLESS OTHERWISE SPECIFIED: 0 PLC ± - 1 PLC ± - 2 PLC ± - 3 PLC ± - 4 PLC ± - ANGLES ± - FINISH		APVD T. vd. MEULEN 22 FEB 07	PRODUCT SPEC	APPLICATION SPEC	RESTRICTED TO
MATERIAL		WEIGHT	SIZE A2	CAGE CODE 00779	DRAWING NO C=6391957
CUSTOMER DRAWING			SCALE NTS	SHEET 1 of 2	REV C

THIS DRAWING IS UNPUBLISHED. RELEASED FOR PUBLICATION  
 © COPYRIGHT BY TYCO ELECTRONICS CORPORATION. ALL RIGHTS RESERVED.

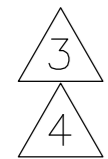
LOC	DIST	REVISIONS			
P	LTR	DESCRIPTION	DATE	DWN	APVD
H	-	SEE SHEET 1	-	-	-

PART NUMBER	LENGTH "L" (m)
0-6391957-5	5,0 -0/+0,1
1-6391957-0	10,0 -0/+0,1
1-6391957-5	15,0 -0/+0,2
2-6391957-0	20,0 -0/+0,2

MTRJ CONNECTOR	CABLE MARKER	"L2" (meter)
1	1	0,4 -0/+0,1
2	2	0,4 -0/+0,1
3	3	0,5 -0/+0,1
4	4	0,5 -0/+0,1
5	5	0,6 -0/+0,1
6	6	0,6 -0/+0,1

NOTES:

- MPO CONNECTOR:  
 INSERTION LOSS ≤ 0,75dB, RANDOM MATED AT 1300nm  
 RETURN LOSS > 20dB, RANDOM MATED AT 1300nm
- MTRJ CONNECTORS:  
 INSERTION LOSS ≤ 0,3dB, MEASURED AGAINST LAUNCH LEAD AT 1300nm  
 RETURN LOSS > 20dB, MEASURED AGAINST LAUNCH LEAD AT 1300nm
- 2mm JACKET TUBINGS, FOR LENGTHS SEE TABLE
- INFORMATION ON LABEL:
  - BARCODE
  - PART NUMBER & FACTORY ORDER NUMBER
  - CABLE LENGTH ("L")
  - UNIQUE SERIAL NUMBER
  - CONNECTIVITY: "STRAIGHT"
- TEST RESULT SHEET SUPPLIED WITH EACH INDIVIDUALLY PACKED ASSEMBLY
- PACKAGING:
  - LENGTHS ≤ 10 meter IN A BAG
  - 10 < LENGTHS ≤ 40 meter IN A BOX
  - LENGTHS > 40 meter ON A REEL



LENGTHS > 10meter	LENGTHS ≤ 10meter	Qty	Description	Item
6	6		FOAC CABLE MARKER	8
1	1		INFORMATION LABEL	7
6	6		MTRJ CONNECTOR MULTI MODE	6
AR	AR		FOAC JACKET WITH KEVLAR, BLACK	5
2	1		FOAC FAN-OUT KIT	4
1	1		MPO CONNECTOR MULTI MODE FEMALE	3
AR	-		FURCATION TUBE ORANGE	2
L	-		FOCAB MM50 OM2 12FOLD ORANGE LSZH	1
-	L		FOCAB MM50 OM2 12FOLD RIBBON ORANGE LSZH	1

THIS DRAWING IS A CONTROLLED DOCUMENT.		DWN R. COOLEN 08SEP2006	Tyco Electronics Nederland BV 's-Hertogenbosch, Netherlands	
DIMENSIONS: mm		CHK A. HENGELMOLEN 22 FEB 07	NAME FOBRO MM50 OM2 LEAD 12FOLD MPO/FEMALE - 6x MT-RJ	
		APVD T. vd. MEULEN 22 FEB 07	SIZE A2	CAGE CODE 00779
TOLERANCES UNLESS OTHERWISE SPECIFIED:		PRODUCT SPEC	DRAWING NO C=6391957	RESTRICTED TO
MATERIAL		APPLICATION SPEC	SCALE NTS	SHEET 2 of 2
FINISH		WEIGHT	REV C	
		CUSTOMER DRAWING		