

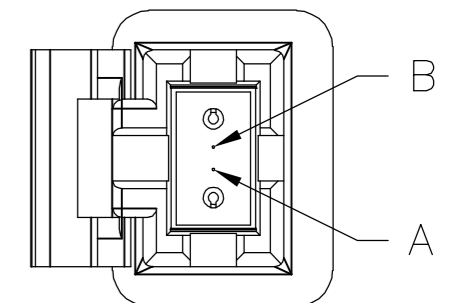
THIS DRAWING IS UNPUBLISHED. RELEASED FOR PUBLICATION  
 © COPYRIGHT BY TYCO ELECTRONICS CORPORATION. ALL RIGHTS RESERVED.

LOC	DIST	REVISIONS			
P	LTR	DESCRIPTION	DATE	DWN	APVD
H	-	A	INITIAL RELEASE	09 NOV 06	RC TvdM

**NOTE:**

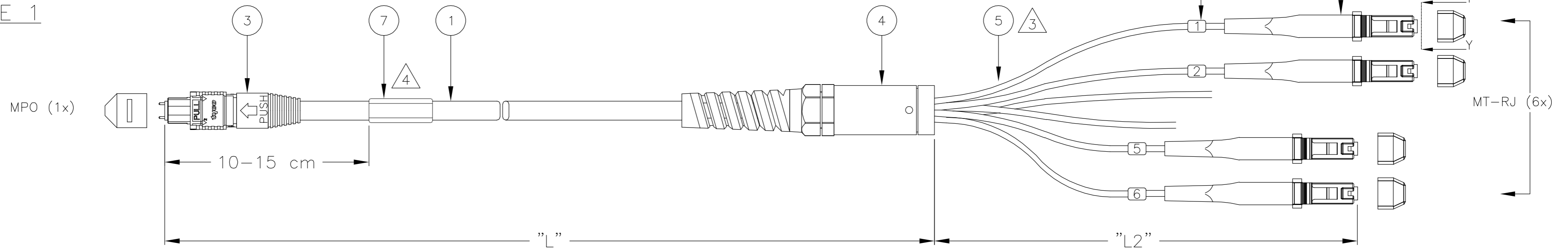
TWO DIFFERENT BREAK OUT ASSEMBLIES:

- EXAMPLE 1: FOR LENGTHS ≤ 10 meter, RIBBON CABLE WITH 1 FAN-OUT
- EXAMPLE 2: FOR LENGTHS > 10 meter, ROUND CABLE WITH 2 FAN-OUTS

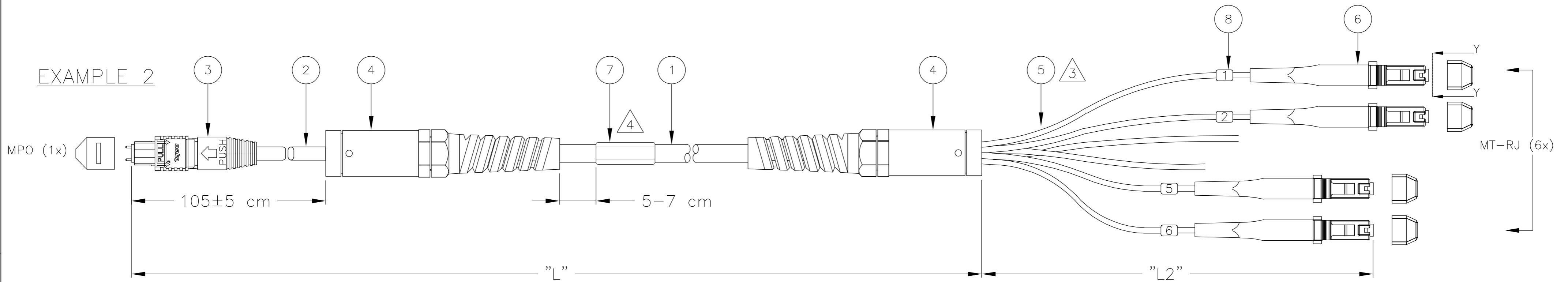


SECTION Y-Y  
SCALE: 4:1

**EXAMPLE 1**



**EXAMPLE 2**



THIS DRAWING IS A CONTROLLED DOCUMENT.		DWN R. COOLEN 09NOV2006	<b>tyco</b> Tyco Electronics Nederland BV	
DIMENSIONS: mm		CHK A. HENGELMOLEN 09 NOV 06	's-Hertogenbosch, Netherlands	
TOLERANCES UNLESS OTHERWISE SPECIFIED:		APVD T. vd. MEULEN 09 NOV 06	NAME FOBRO SM 9/125 OS1 LEAD 12FOLD MPO/MALE - 6x MT-RJ	
0 PLC ± -		PRODUCT SPEC	SIZE A2	CAGE CODE 00779
1 PLC ± -		APPLICATION SPEC	DRAWING NO C=1920349	RESTRICTED TO
2 PLC ± -		WEIGHT	SCALE NTS	SHEET 1 of 2
3 PLC ± -		FINISH	REV A	
4 PLC ± -		CUSTOMER DRAWING		
ANGLES ± -				

THIS DRAWING IS UNPUBLISHED. RELEASED FOR PUBLICATION  
 © COPYRIGHT BY TYCO ELECTRONICS CORPORATION. ALL RIGHTS RESERVED.

LOC		DIST		REVISIONS			
P	LTR	DESCRIPTION	DATE	DWN	APVD		
-	-	SEE SHEET 1	-	-	-		

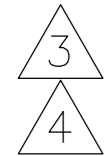
PART NUMBER	LENGTH "L" (m)
0-1920349-5	5,0 -0/+0,1
1-1920349-0	10,0 -0/+0,1
1-1920349-5	15,0 -0/+0,2
2-1920349-0	20,0 -0/+0,2

MTRJ CONNECTOR	CABLE MARKER	"L2" (meter)
1	1	0,4 -0/+0,1
2	2	0,4 -0/+0,1
3	3	0,5 -0/+0,1
4	4	0,5 -0/+0,1
5	5	0,6 -0/+0,1
6	6	0,6 -0/+0,1



NOTES:

- MPO CONNECTOR:  
 INSERTION LOSS ≤ 1,0dB, RANDOM MATED AT 1310nm  
 RETURN LOSS > 35dB, RANDOM MATED AT 1310nm
- MTRJ CONNECTORS:  
 INSERTION LOSS ≤ 0,75dB, RANDOM MATED AT 1310nm  
 RETURN LOSS > 35dB, RANDOM MATED AT 1310nm
- 2mm JACKET TUBINGS, FOR LENGTHS SEE TABLE
- INFORMATION ON LABEL:
  - BARCODE
  - PART NUMBER & FACTORY ORDER NUMBER
  - CABLE LENGTH ("L")
  - UNIQUE SERIAL NUMBER
- TEST RESULT SHEET SUPPLIED WITH EACH INDIVIDUALLY PACKED ASSEMBLY



LENGTHS > 10meter	LENGTHS ≤ 10meter	Description	Item
6	6	FOAC CABLE MARKER	8
1	1	INFORMATION LABEL	7
6	6	MTRJ CONNECTOR SINGLE MODE	6
AR	AR	FOAC JACKET WITH KEVLAR, YELLOW	5
2	1	FOAC FAN-OUT KIT	4
1	1	MPO CONNECTOR SINGLE MODE MALE	3
AR	-	FURCATION TUBE YELLOW	2
L	-	FOCAB SM 9/125 OS1 12FOLD YELLOW LSZH	1
-	L	FOCAB SM 9/125 OS1 12FOLD RIBBON YELLOW LSZH	1
Qty	Qty	Description	Item

THIS DRAWING IS A CONTROLLED DOCUMENT.		DWN R. COOLEN 09NOV2006	<b>tyco</b> Tyco Electronics Nederland BV 's-Hertogenbosch, Netherlands	
DIMENSIONS: mm		CHK A. HENGELMOLEN 09 NOV 06	NAME T. vd. MEULEN 09 NOV 06	
TOLERANCES UNLESS OTHERWISE SPECIFIED: 0 PLC ± - 1 PLC ± - 2 PLC ± - 3 PLC ± - 4 PLC ± - ANGLES ± -		APVD T. vd. MEULEN 09 NOV 06	PRODUCT SPEC APPLICATION SPEC	
MATERIAL -		FINISH -	WEIGHT -	SIZE A2
		CAGE CODE 00779		DRAWING NO C=1920349
		CUSTOMER DRAWING		RESTRICTED TO -
		SCALE NTS	SHEET 2 of 2	REV A