

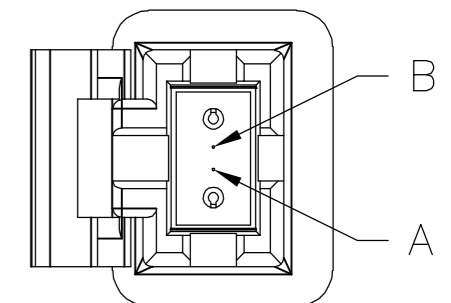
THIS DRAWING IS UNPUBLISHED. RELEASED FOR PUBLICATION
 © COPYRIGHT BY TYCO ELECTRONICS CORPORATION. ALL RIGHTS RESERVED.

LOC	DIST	REVISIONS			
P	LTR	DESCRIPTION	DATE	DWN	APVD
H	-				
	A	INITIAL RELEASE	09 NOV 06	RC	TvdM

NOTE:

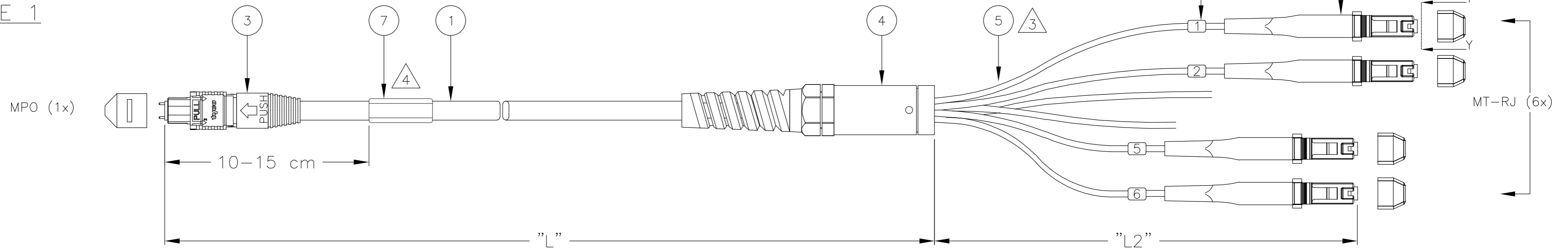
TWO DIFFERENT BREAK OUT ASSEMBLIES:

- EXAMPLE 1: FOR LENGTHS ≤ 10 meter, RIBBON CABLE WITH 1 FAN-OUT
- EXAMPLE 2: FOR LENGTHS > 10 meter, ROUND CABLE WITH 2 FAN-OUTS

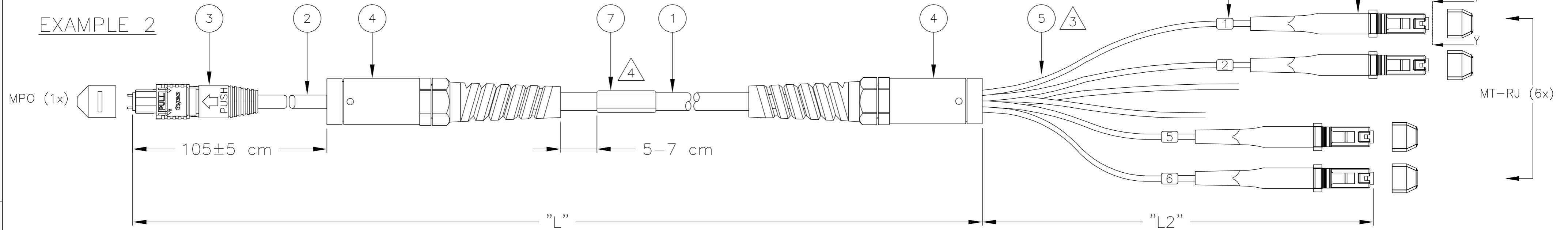


SECTION Y-Y SCALE: 4:1

EXAMPLE 1



EXAMPLE 2



THIS DRAWING IS A CONTROLLED DOCUMENT.		DWN R. COOLEN 09NOV2006	tyco Tyco Electronics Nederland BV	
DIMENSIONS: mm		CHK A. HENGELMOLEN 09 NOV 06	's-Hertogenbosch, Netherlands	
TOLERANCES UNLESS OTHERWISE SPECIFIED:		APVD T. vd. MEULEN 09 NOV 06	NAME FOBRO MM62.5 OM1 LEAD 12FOLD MPO/MALE - 6x MT-RJ	
0 PLC ± -		PRODUCT SPEC	SIZE A2	CAGE CODE 00779
1 PLC ± -		APPLICATION SPEC	DRAWING NO C=1920346	RESTRICTED TO
2 PLC ± -			SCALE NTS	SHEET 1 of 2
3 PLC ± -				REV A
4 PLC ± -				
ANGLES ± -				
FINISH		WEIGHT		
MATERIAL		CUSTOMER DRAWING		

THIS DRAWING IS UNPUBLISHED. RELEASED FOR PUBLICATION
 © COPYRIGHT BY TYCO ELECTRONICS CORPORATION. ALL RIGHTS RESERVED.

LOC	DIST	REVISIONS			
P	LTR	DESCRIPTION	DATE	DWN	APVD
H	-	SEE SHEET 1	-	-	-

PART NUMBER	LENGTH "L" (m)
0-1920346-5	5,0 -0/+0,1
1-1920346-0	10,0 -0/+0,1
1-1920346-5	15,0 -0/+0,2
2-1920346-0	20,0 -0/+0,2

MTRJ CONNECTOR	CABLE MARKER	"L2" (meter)
1	1	0,4 -0/+0,1
2	2	0,4 -0/+0,1
3	3	0,5 -0/+0,1
4	4	0,5 -0/+0,1
5	5	0,6 -0/+0,1
6	6	0,6 -0/+0,1

3

NOTES:

- MPO CONNECTOR:
 INSERTION LOSS ≤ 0,75dB, RANDOM MATED AT 1300nm
 RETURN LOSS > 20dB, RANDOM MATED AT 1300nm
- MTRJ CONNECTORS:
 INSERTION LOSS ≤ 0,3dB, MEASURED AGAINST LAUNCH LEAD AT 1300nm
 RETURN LOSS > 20dB, MEASURED AGAINST LAUNCH LEAD AT 1300nm
- 2mm JACKET TUBINGS, FOR LENGTHS SEE TABLE
- INFORMATION ON LABEL:
 - BARCODE
 - PART NUMBER & FACTORY ORDER NUMBER
 - CABLE LENGTH ("L")
 - UNIQUE SERIAL NUMBER
- TEST RESULT SHEET SUPPLIED WITH EACH INDIVIDUALLY PACKED ASSEMBLY

3
4

LENGTHS > 10meter	LENGTHS ≤ 10meter	Description	Qty	Item
6	6	FOAC CABLE MARKER	8	
1	1	INFORMATION LABEL	7	
6	6	MTRJ CONNECTOR MULTI MODE	6	
AR	AR	FOAC JACKET WITH KEVLAR, BLACK	5	
2	1	FOAC FAN-OUT KIT	4	
1	1	MPO CONNECTOR MULTI MODE MALE	3	
AR	-	FURCATION TUBE ORANGE	2	
L	-	FOCAB MM62.5 OM1 12FOLD ORANGE LSZH	1	
-	L	FOCAB MM62.5 OM1 12FOLD RIBBON ORANGE LSZH	1	

THIS DRAWING IS A CONTROLLED DOCUMENT.		DWN R. COOLEN 09NOV2006	tyco Tyco Electronics Nederland BV Electronics 's-Hertogenbosch, Netherlands	
DIMENSIONS: mm		CHK A. HENGELMOLEN 09 NOV 06	NAME FOBRO MM62.5 OM1 LEAD 12FOLD MPO/MALE - 6x MT-RJ	
TOLERANCES UNLESS OTHERWISE SPECIFIED:		APVD T. vd. MEULEN 09 NOV 06	SIZE A2	CAGE CODE 00779
0 PLC ± - 1 PLC ± - 2 PLC ± - 3 PLC ± - 4 PLC ± - ANGLES ± -		PRODUCT SPEC APPLICATION SPEC	DRAWING NO C=1920346	RESTRICTED TO -
MATERIAL -	FINISH -	WEIGHT -	SCALE NTS	SHEET 2 of 2
CUSTOMER DRAWING			REV A	