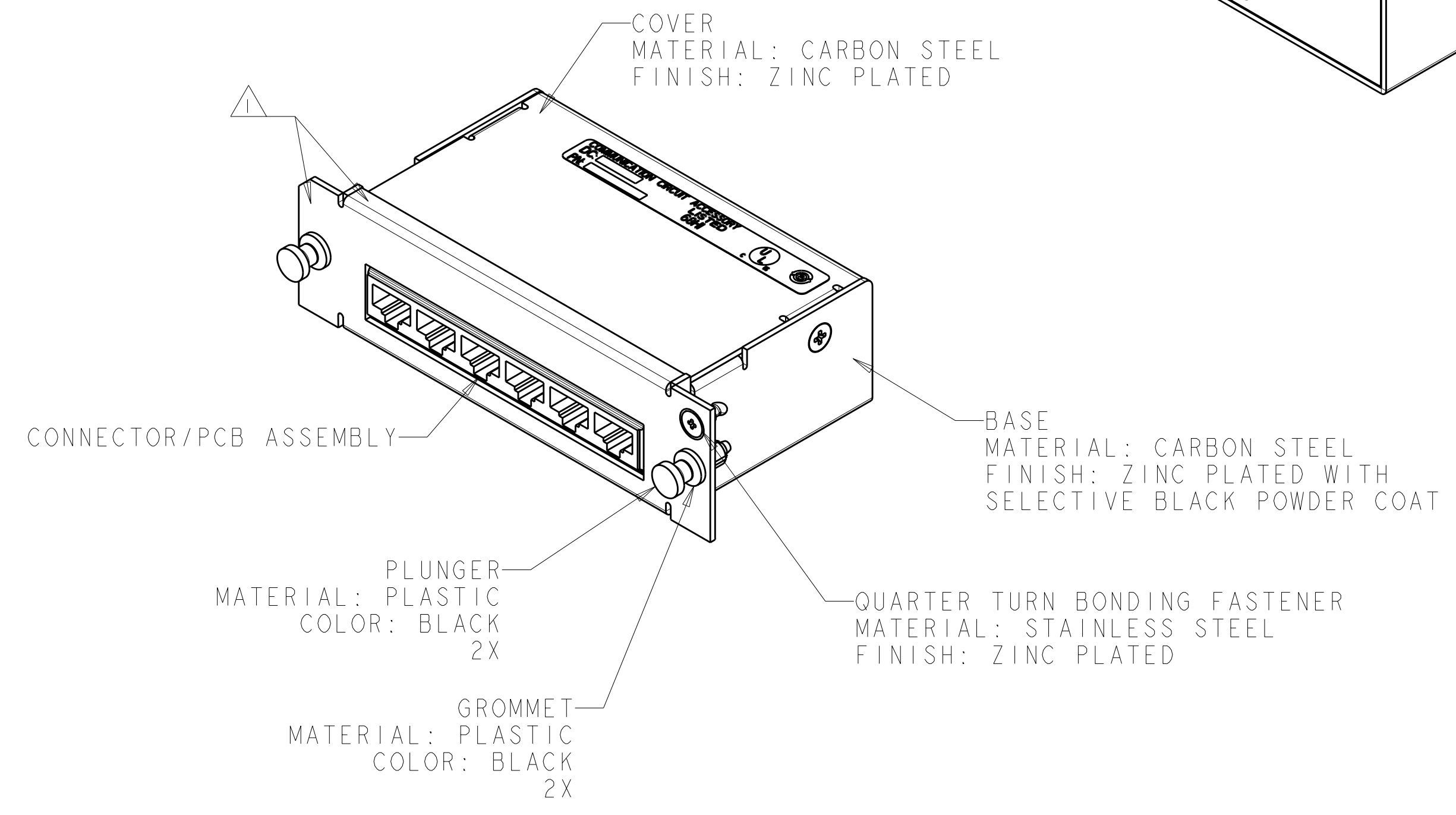
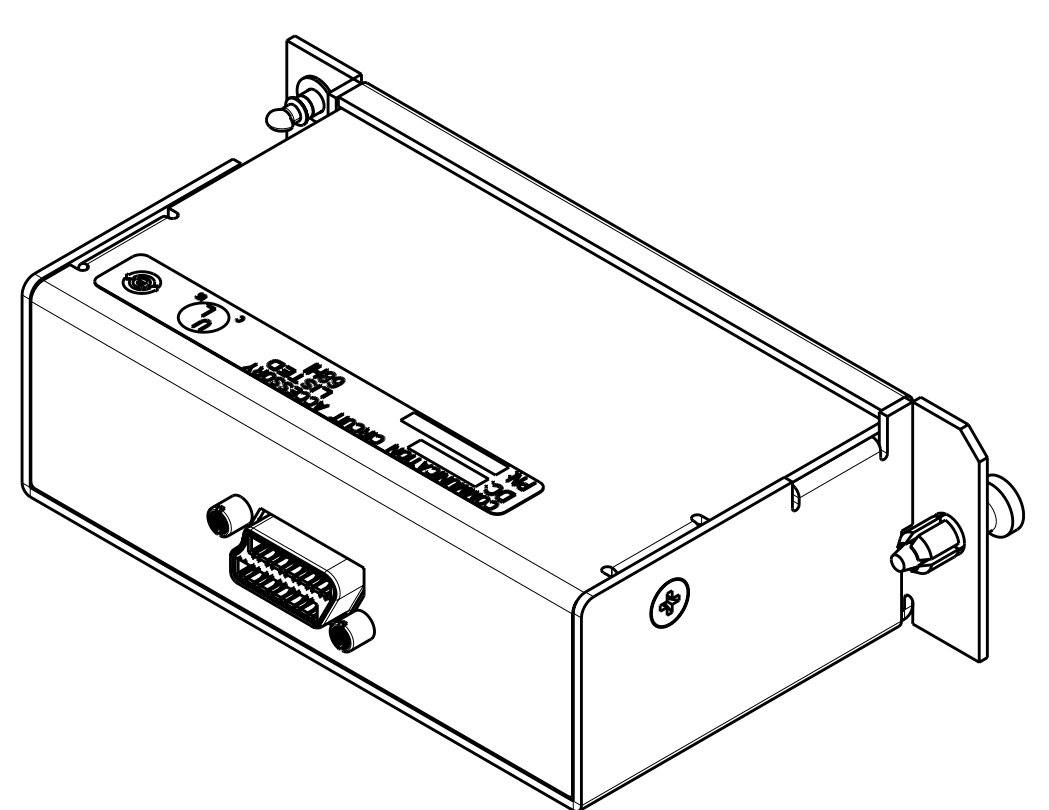
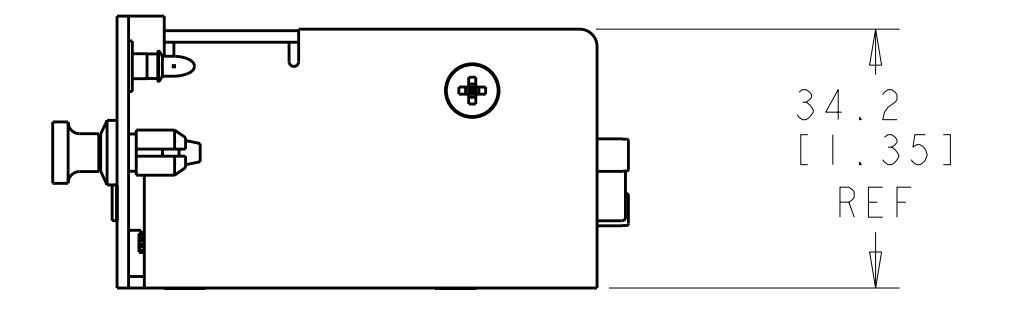
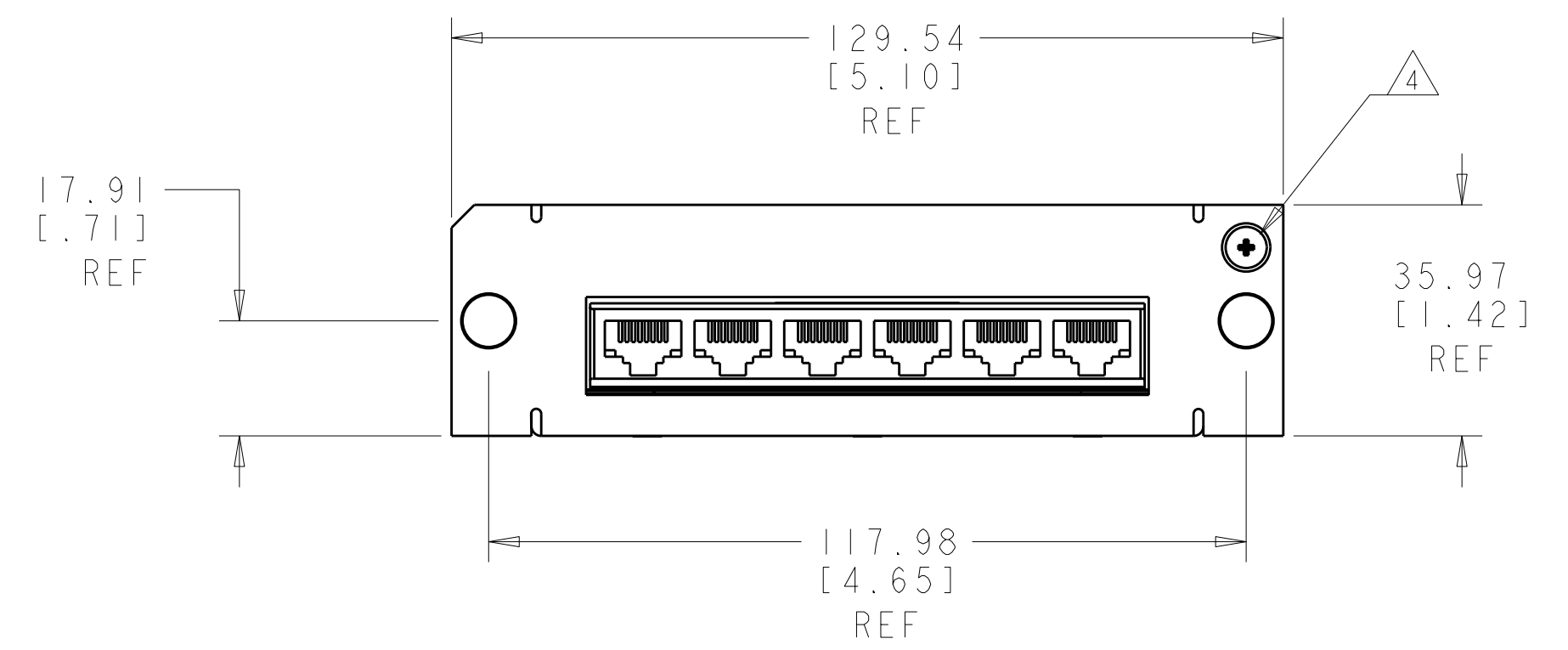
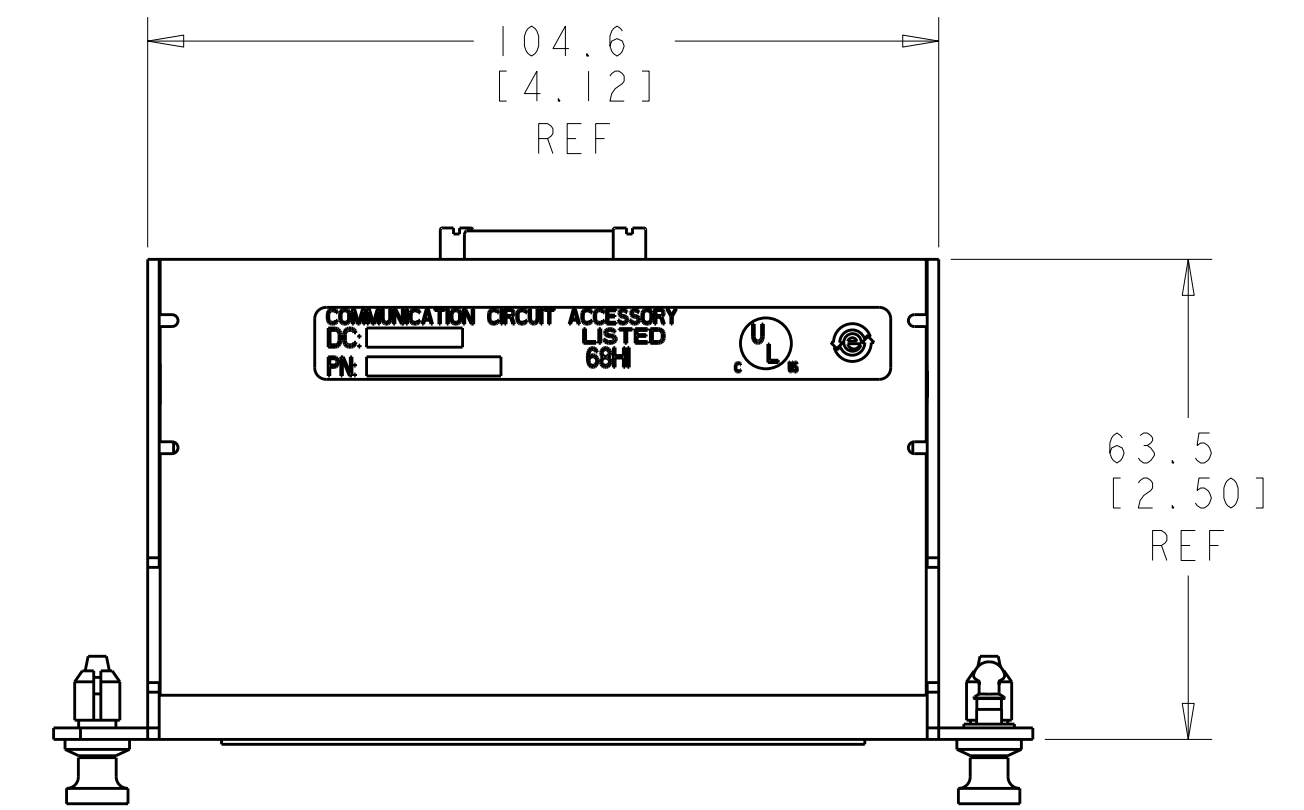


LOC	DIST	REVISIONS					
		P	LT#	DESCRIPTION	DATE	DWN	APVD
HM	00	A		NSD06-058	05FEB2008	JM	ST



- 1. BLACK POWDER COAT ON FRONT FACE AND UPPER FLANGE ONLY.
- 2. REFER TO INSTRUCTION SHEET 408-8866 FOR INSTALLATION PROCEDURES.
- 3. ALL DIMS FOR REFERENCE ONLY.
- 4. QUARTER-TURN FASTENER MUST BE FULLY ENGAGED TO LOCK POSITION DURING INSTALLATION ONTO PATCH PANEL TO PROVIDE BONDING/GROUNDING.



1777086-1  
PART NUMBER

<small>THIS DRAWING IS UNPUBLISHED. RELEASED FOR PUBLICATION BY TYCO ELECTRONICS CORPORATION. ALL RIGHTS RESERVED.</small>		DWN J MCNEAL 10SEP2007	Tyco Electronics Harrisburg, PA 17105-3608	
DIMENSIONS: mm [ INCHES ]		CHK S TOBEY	NAME ASSEMBLY, MRJ21, 1 X 6, SHIELDED, CASSETTE	
TOLERANCES UNLESS OTHERWISE SPECIFIED: 9 PLC ± 8 PLC ± 5 PLC ± 4 PLC ± ANGLES ±		APVD S TOBEY 10SEP2007	PRODUCT SPEC APPLICATION SPEC SIZE CAGE CODE DRAWING NO A 100779 C=1777086	
MATERIAL FINISH		WEIGHT CUSTOMER DRAWING	RESTRICTED TO SCALE 1:1 SHEET 1 OF 1 REV A	