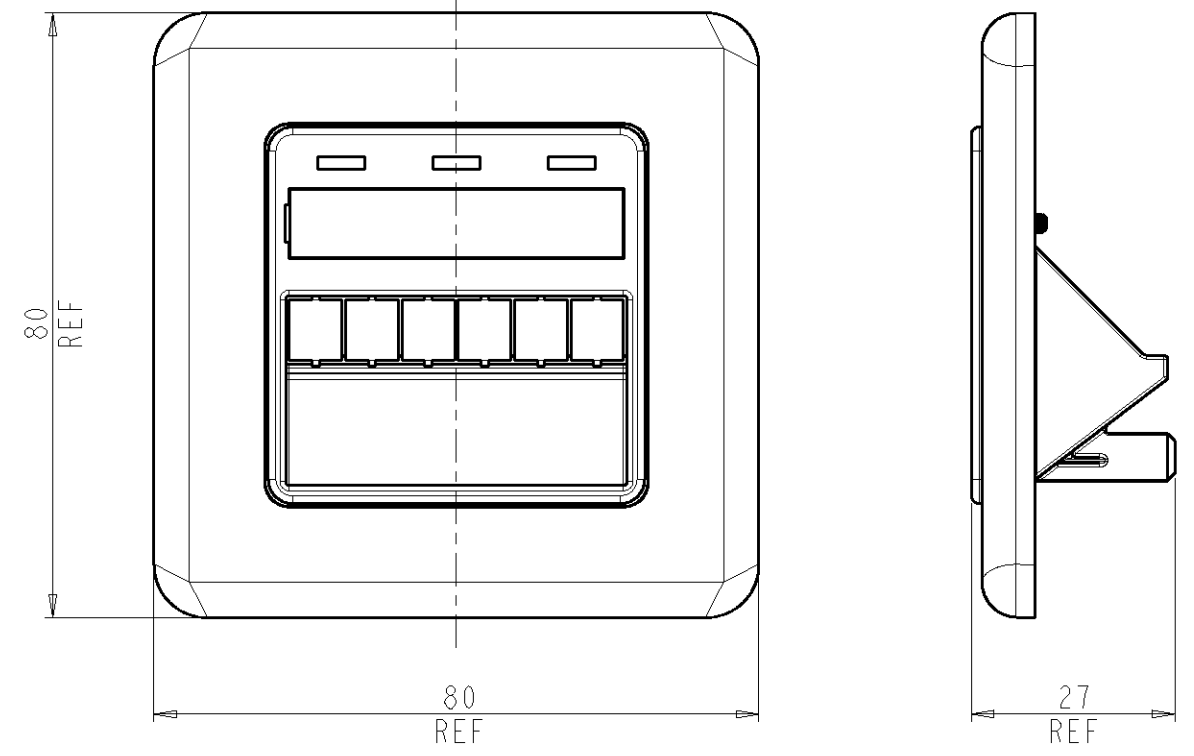
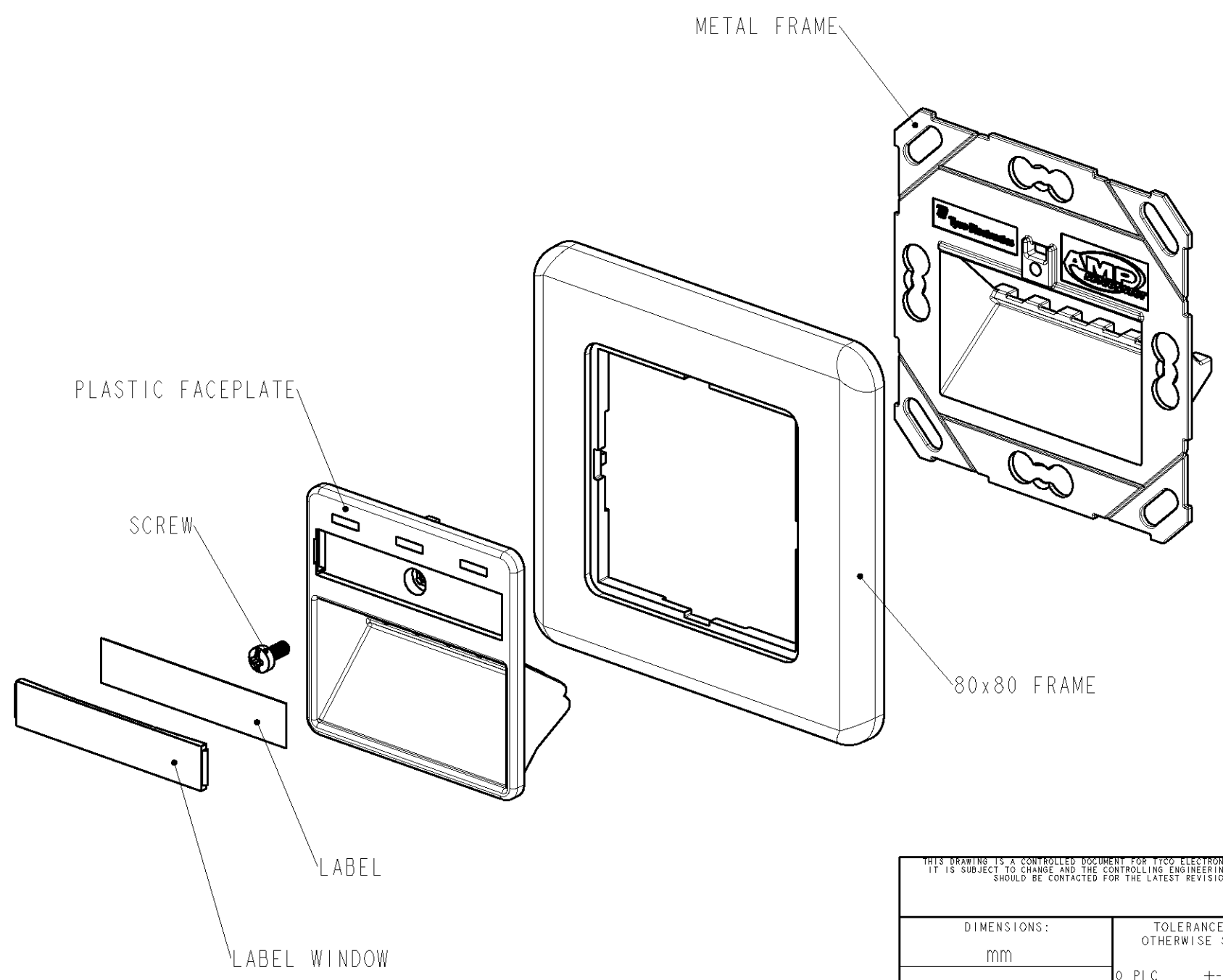


THIS DRAWING IS UNPUBLISHED. RELEASED FOR PUBLICATION 2006  
 © COPYRIGHT 2006 BY TYCO ELECTRONICS CORPORATION. ALL RIGHTS RESERVED.

LOC	DIST	REVISIONS					
		P	LTR	DESCRIPTION	DATE	DWN	APVD
1K	2		A	ISSUED	10OCT2006	FCH	JS
			B	RELEASED	14DEC2006	ACG	JS
			BI	NOTES AND BOM CLARIFICATION	04MAR2008	L.C.	J.S.

PACKAGING:  
 - EACH UNIT IN A CARTON BOX WITH CORRESPONDING LABEL  
 - 10 UNITS IN A CARTON BOX WITH ONE INSTRUCTION SHEET AND CORRESPONDING LABEL  
 - 6 BOXES OF 10 UNITS (60 UNITS) IN A CARTON BOX WITH CORRESPONDING LABEL



QTY		MATERIAL	DESCRIPTION	ITEM
1	1	PC	LABEL WINDOW	6
1	1	PAPER	LABEL	5
1	1	STEEL	POZIDRIV SCREW M2.5x8.5mm	4
1	-	PC	PLASTIC FACEPLATE, WHITE	3
-	1	PC	PLASTIC FACEPLATE, ALMOND	
1	-	PC	80x80 PLASTIC FRAME, WHITE	2
-	1	PC	80x80 PLASTIC FRAME, ALMOND	
1	1	Zn ALLOY	METAL FRAME	1
-2	-1	MATERIAL	DESCRIPTION	ITEM

THIS DRAWING IS A CONTROLLED DOCUMENT FOR TYCO ELECTRONICS CORPORATION. IT IS SUBJECT TO CHANGE AND THE CONTROLLING ENGINEERING ORGANIZATION SHOULD BE CONTACTED FOR THE LATEST REVISION.

DWN F. CHAMORRO 10OCT2006	Tyco Electronics AMP España, S.A. Barcelona, Spain
CHK A. CARRERAS 10OCT2006	
APVD J. SANABRA 18DEC2006	
PRODUCT SPEC -	NAME 3-PORT 80x80 DIN OUTLET SL SERIES JACKS
APPLICATION SPEC 114-93009	SIZE A3
WEIGHT -	CAGE CODE 00779
CUSTOMER DRAWING	DRAWING NO C-1711537
	RESTRICTED TO -
	SCALE 1:1
	SHEET 1
	OF 1
	REV BI