

4

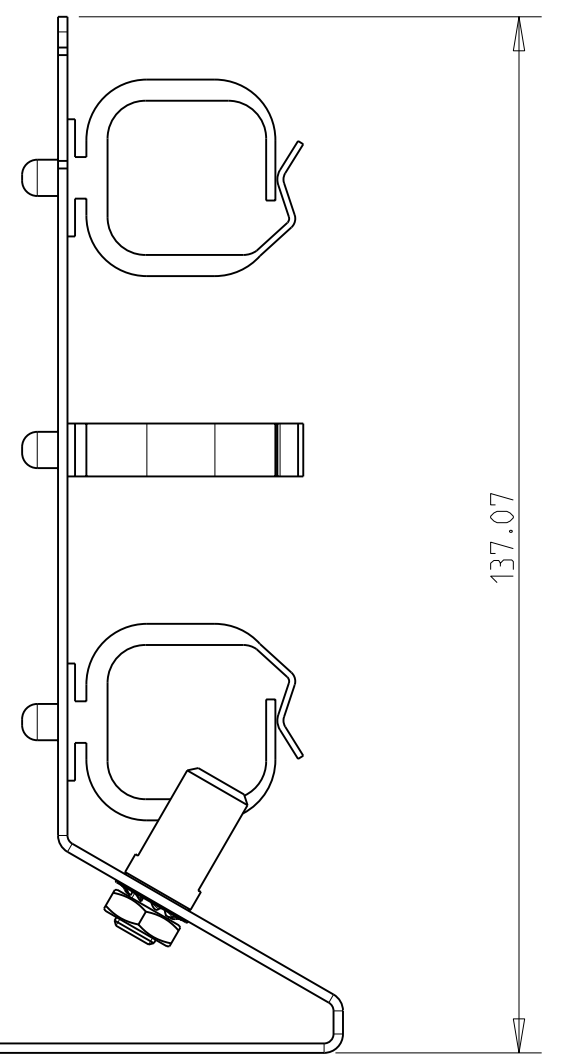
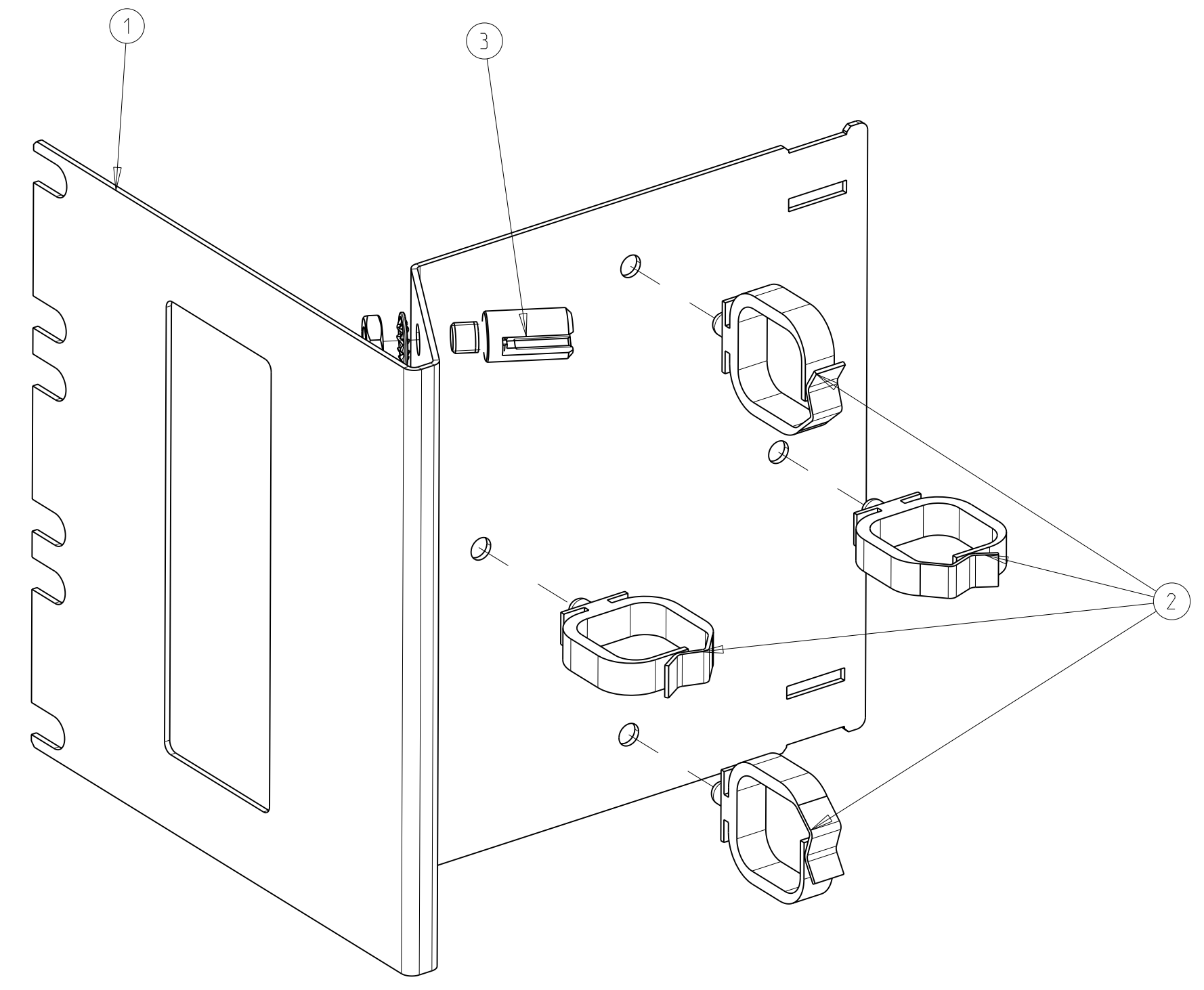
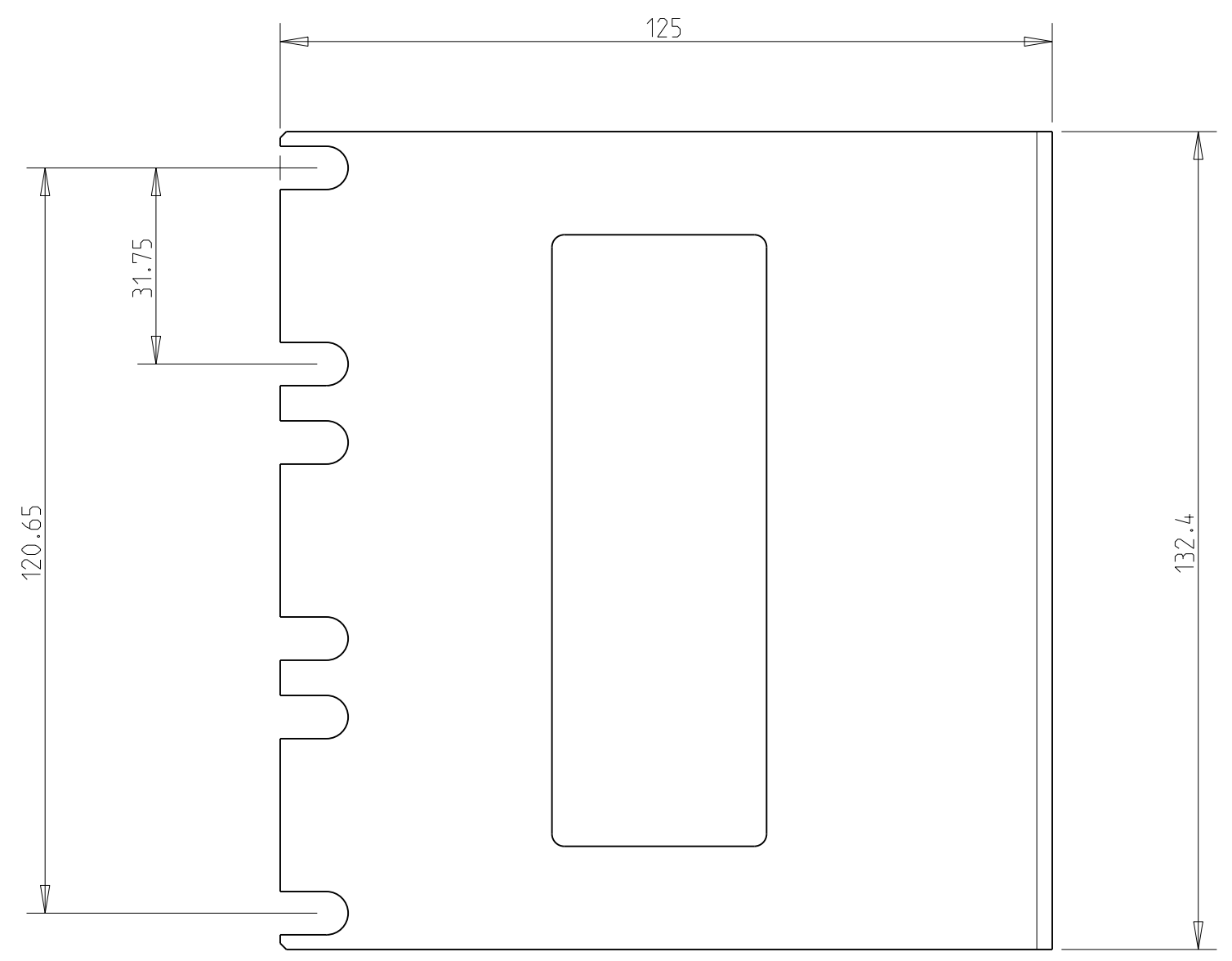
3

2

1

THIS DRAWING IS UNPUBLISHED. RELEASED FOR PUBLICATION 20  
 © COPYRIGHT 20 ALL RIGHTS RESERVED.

LOC	DIST	REVISIONS			
P	LTR	DESCRIPTION	DATE	DWN	APVD
IV	00	A	Initial Release	29JUN2011	WDV HB
		B	ECR-11-021198	27OCT2011	WDV HB



QTY	DESCRIPTION	ITEM
1	Grounding Screw	3
4	OFN Saddle	2
1	Base Plate	1

THIS DRAWING IS A CONTROLLED DOCUMENT.		DWN W. DE VIS 29JUN2011	<b>STE</b> TE Connectivity	
DIMENSIONS: mm		CHK H. BLEUS 29JUN2011		
TOLERANCES UNLESS OTHERWISE SPECIFIED:		APVD D. THUIS 29JUN2011	NAME Xtra-U Patch Panel with Cable Management	
0 PLC ±SEE TABLE	1 PLC ±SEE TABLE	PRODUCT SPEC	SIZE	CAGE CODE
2 PLC ±SEE TABLE	3 PLC ±SEE TABLE	APPLICATION SPEC	A2	00779
4 PLC ±SEE TABLE	ANGLES ±SEE TABLE	WEIGHT	DRAWING NO	RESTRICTED TO
FINISH			©=1671547	
MATERIAL		CUSTOMER DRAWING		SCALE 1,000 SHEET 1 OF 1 REV B