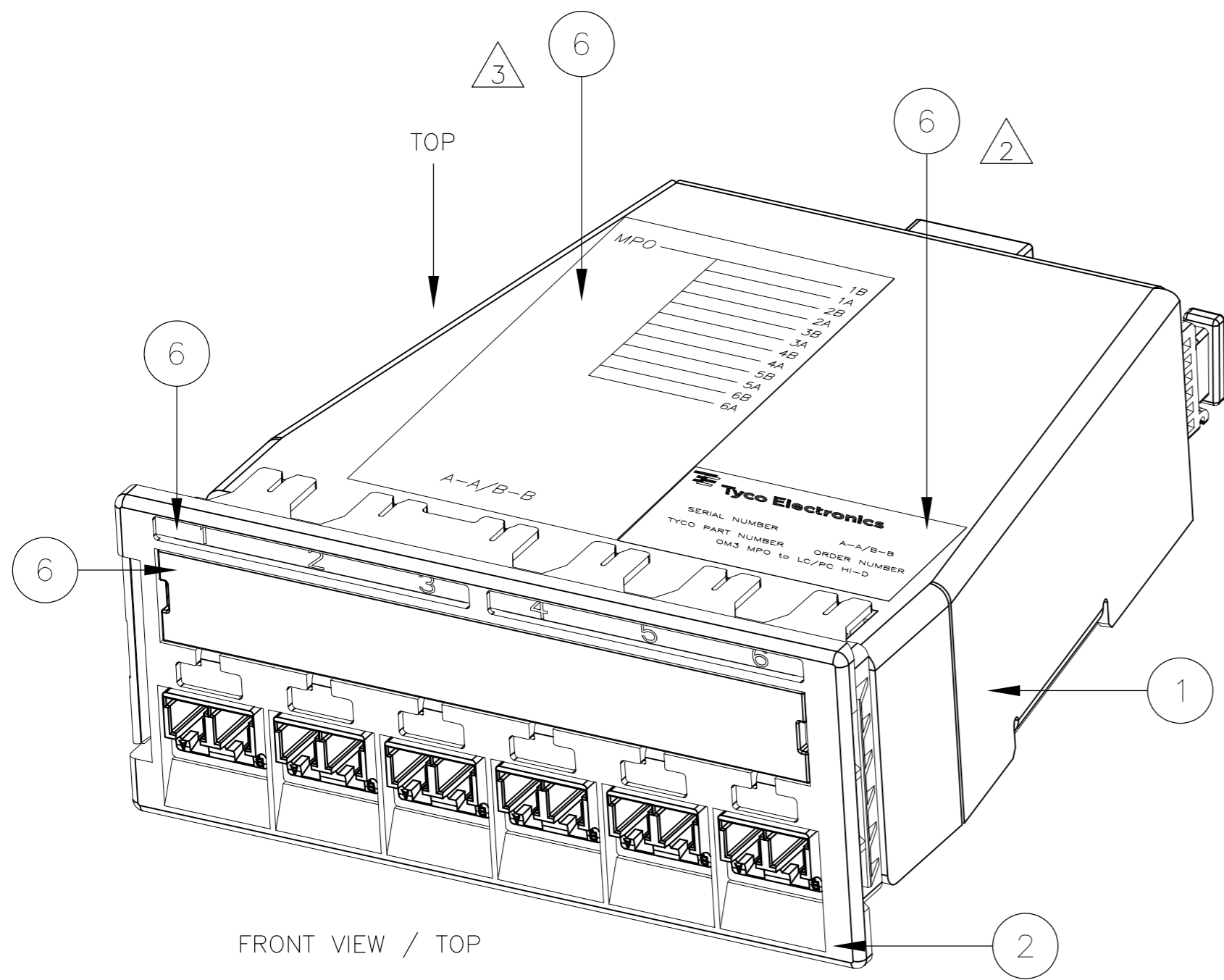
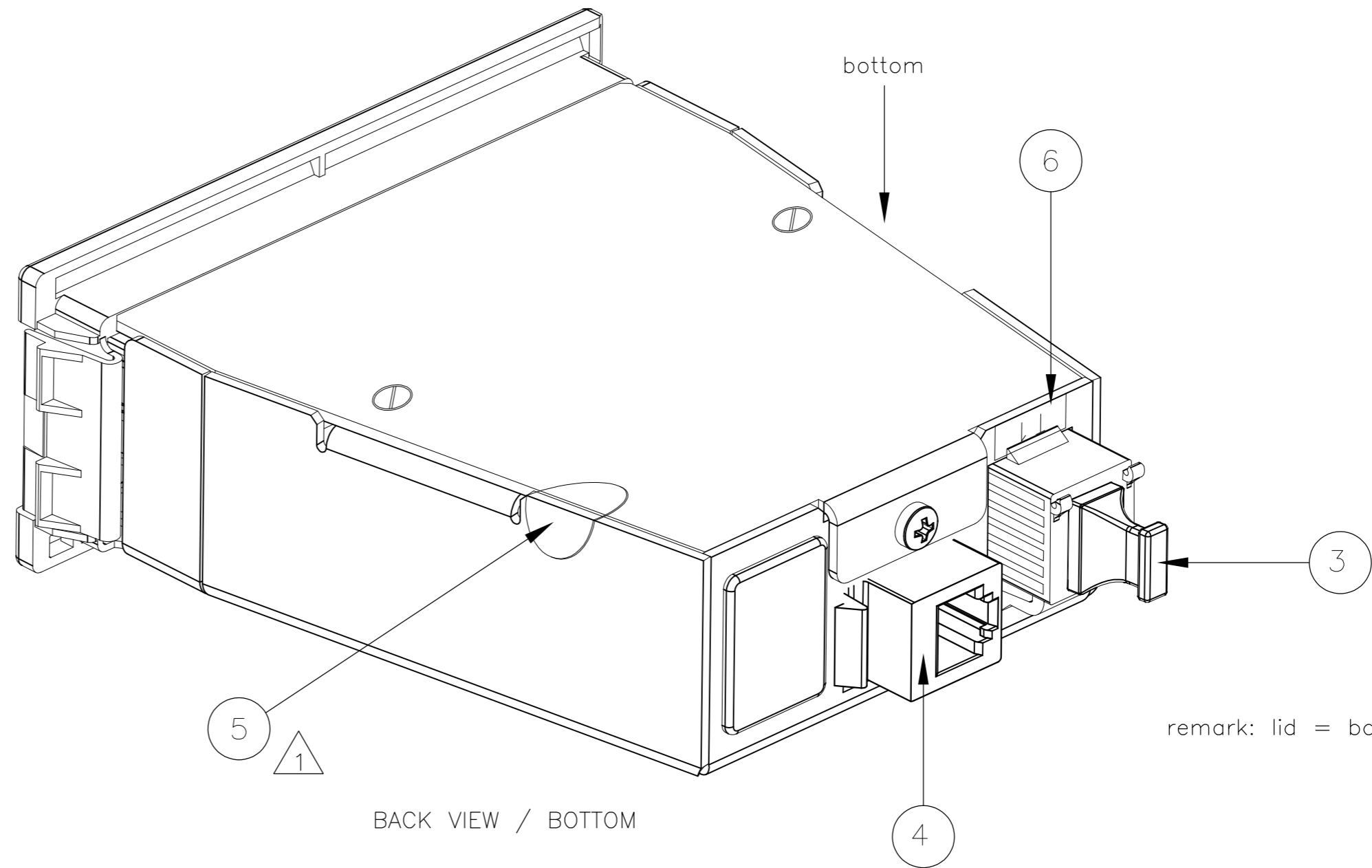


THIS DRAWING IS UNPUBLISHED. RELEASED FOR PUBLICATION  
 © COPYRIGHT BY TYCO ELECTRONICS CORPORATION. ALL INTERNATIONAL RIGHTS RESERVED.

LOC	DIST	REVISIONS			
P	LTR	DESCRIPTION	DATE	DWN	APVD
H	-	A	INITIAL RELEASE	07JUL2010	MO MO



FRONT VIEW / TOP



BACK VIEW / BOTTOM

LC DUSTCAPS NOT SHOWN IN THIS VIEW

remark: lid = bottom of cassette.

OPTICAL PERFORMANCE FOR CASSETTES

- PERFORMANCE EXCEEDS REQUIREMENTS I.S. 11801, TIA/EIA 568.B3
- ATTENUATION ALL MEASURED ACCORDING I.E.C. 61300-3-4; WITH MODAL CONDITION ACCORDING TO: IS 14763-3, OFSTP-14, IEC 61280-4-1
- RETURN LOSS ALL MEASURED ACCORDING I.E.C. 61300-3-6; WITH MODAL CONDITION ACCORDING TO: IS 14763-3, OFSTP-14, IEC 61280-4-1

FOR OM1: ATTENUATION ≤ 1,0dB\*, MEASURED BETWEEN REFERENCE CONNECTORS AT 850 nm AND 1300 nm  
 (MM62,5) RETURN LOSS ≥ 20dB, MEASURED BETWEEN REFERENCE CONNECTORS AT 850 nm AND 1300 nm

FOR OM2: ATTENUATION ≤ 1,0dB\*, MEASURED BETWEEN REFERENCE CONNECTORS AT 850 nm AND 1300 nm  
 (MM50) RETURN LOSS ≥ 20dB, MEASURED BETWEEN REFERENCE CONNECTORS AT 850 m AND 1300 nm

FOR OM3: ATTENUATION ≤ 0,75dB\*, MEASURED BETWEEN REFERENCE CONNECTORS AT 850 nm  
 (MM50) RETURN LOSS ≥ 23dB, MEASURED BETWEEN REFERENCE CONNECTORS AT 850 nm

FOR OS2: ATTENUATION ≤ 1,0dB\* MEASURED BETWEEN REFERENCE CONNECTORS AT 1310 m AND 1550 nm  
 (SM 9/125) RETURN LOSS ≥ 35dB, MEASURED BETWEEN REFERENCE CONNECTORS AT 1310 nm AND 1550 nm

\* CASSETTE LOSS: EACH CASSETTE CONTAINS 2 CONNECTIONS PER FIBER CHANNEL

PART NUMBER	TYPE	PART NUMBER	ADAPTER COLOR
1671209-1	MM62.5 (OM1)	1-1671209-1	BEIGE
1671209-2	MM50 (OM2)	1-1671209-2	BLACK
1671209-3	MM50 (OM3)**	1-1671209-3	AQUA
1671209-4	SM (OS2)	1-1671209-4	BLUE

\*\* USE OF MPOptimate VARIANT RECOMMENDED FOR HIGH CONNECTIVITY APPLICATIONS

- 1 WARRANTY VOID IF SEAL IS BROKEN
- 2 LABEL INFORMATION: EXAMPLE:
 

<b>Tyco Electronics</b>	
SERIAL NUMBER	A-A/B-B
PART NUMBER	ORDER NUMBER
[FIBER TYPE] MPO to LC/PC HI-D	
- 3 INFORMATION LABEL FOR FIBER PATH
- 4 TEST RESULT SHEET SUPPLIED WITH EACH INDIVIDUALLY PACKED CASSETTE

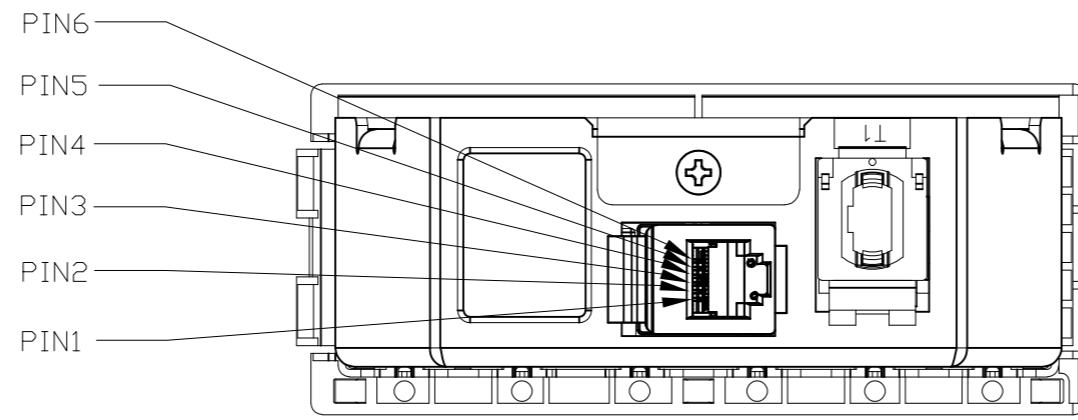
Qty	Description	Item
5	INFORMATION LABEL	6
1	FOAC WARRANTY LABEL	5
1	CAT 3 JACK, BLACK	4
1	MPO ADAPTER WITH DUST CAP	3
1	AMPTRAC INTERFACE HOUSING WITH 6 DUPLEX LC ADAPTERS	2
1	QUICK-FIT CASSETTE MODULE WITH COVER, BLACK	1

THIS DRAWING IS A CONTROLLED DOCUMENT.		DWN 07-07-2010 M.A.H. Oppers	Tyco Electronics Corporation 's-Hertogenbosch, Nederland	
DIMENSIONS: mm		CHK 07-07-2010 T.v.d. Meulen	NAME	
TOLERANCES UNLESS OTHERWISE SPECIFIED:		APVD 07-07-2010 M.A.H. Oppers	PRODUCT SPEC	
0 PLC ± -		APPLICATION SPEC		
1 PLC ± -		WEIGHT		
2 PLC ± -		SCALE		
3 PLC ± -		SHEET		
4 PLC ± -		REV		
ANGLES ± -		CUSTOMER DRAWING		
FINISH		RESTRICTED TO		

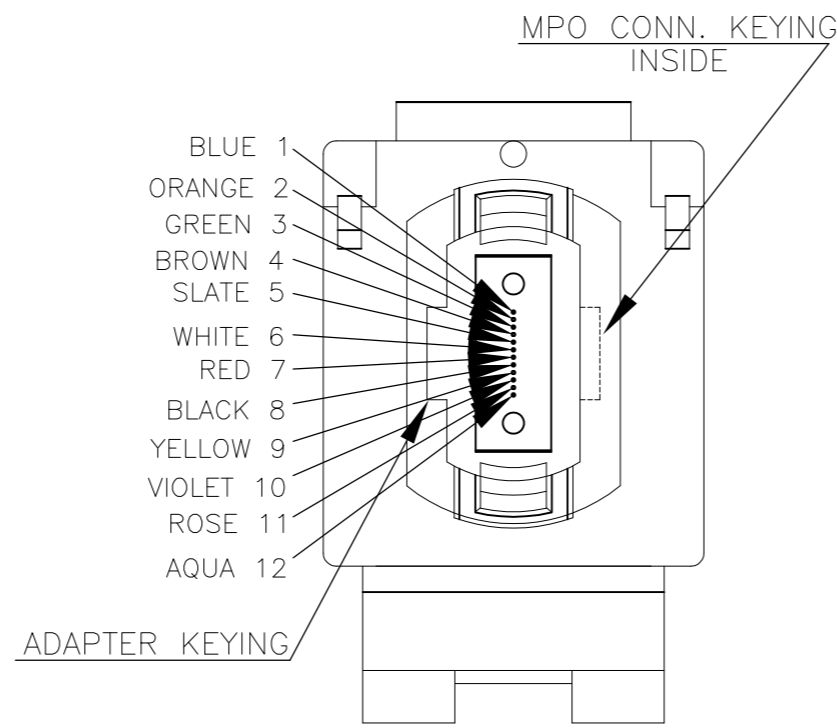
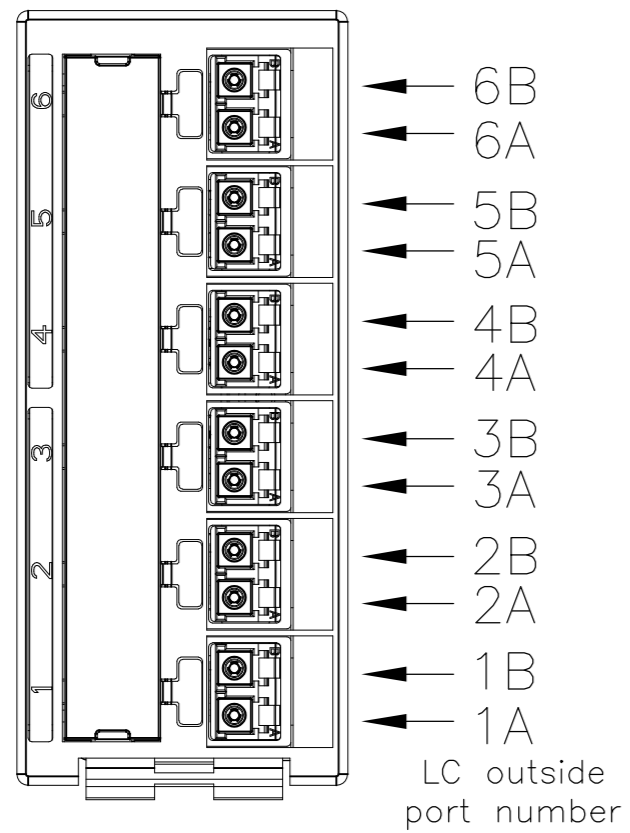
THIS DRAWING IS UNPUBLISHED. RELEASED FOR PUBLICATION  
 © COPYRIGHT BY TYCO ELECTRONICS CORPORATION. ALL INTERNATIONAL RIGHTS RESERVED.

LOC	DIST	REVISIONS					
		P	LTR	DESCRIPTION	DATE	DWN	APVD
H	-	-	-	SEE SHEET 1	-	-	-



wiring diagram - copper

cat 3 pin	LC duplex port position
1	1
2	2
3	3
4	4
5	5
6	6
7	-
8	-



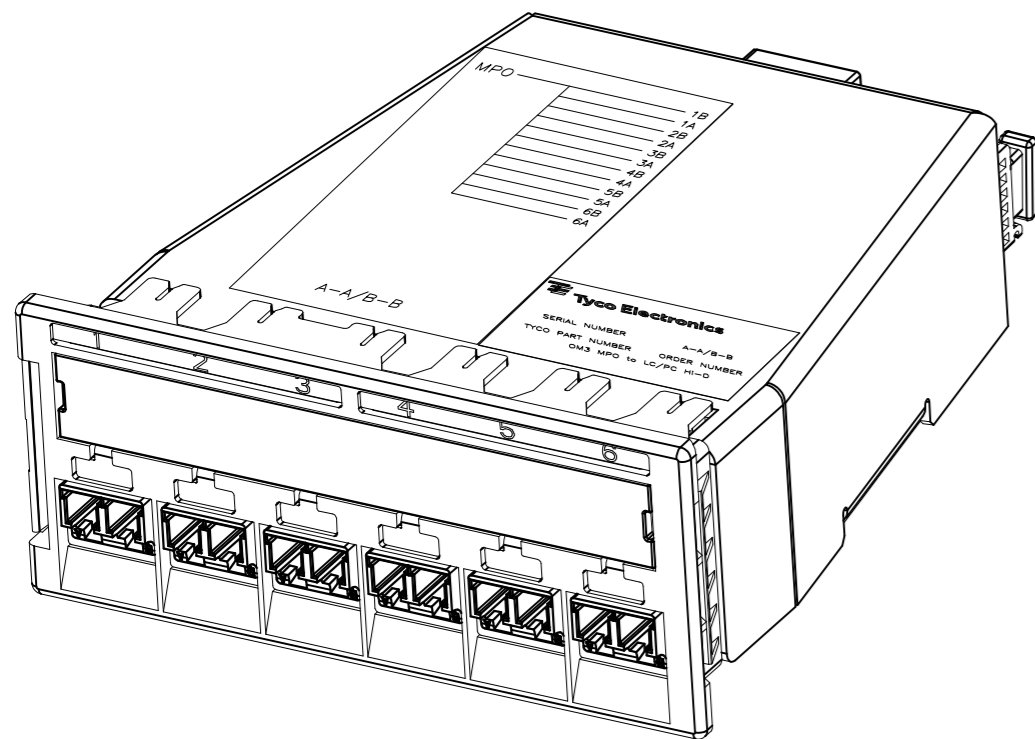
OUTSIDE VIEW MPO ADAPTER  
 FIBER POSITION MPO INSIDE

### FIBER ROUTING

CONNECTIVITY STRAIGHT A-A / B-B		
LC/PC*		MPO
1B	↔	1
1A	↔	2
2B	↔	3
2A	↔	4
3B	↔	5
3A	↔	6
4B	↔	7
4A	↔	8
5B	↔	9
5A	↔	10
6B	↔	11
6A	↔	12

CONNECTIVITY PAIR FLIPPED A-B / B-A		
LC/PC*		MPO
1B	↔	1
1A	↔	2
2B	↔	3
2A	↔	4
3B	↔	5
3A	↔	6
4B	↔	7
4A	↔	8
5B	↔	9
5A	↔	10
6B	↔	11
6A	↔	12

\*) = LC port outside



THIS DRAWING IS A CONTROLLED DOCUMENT.		DWN M.A.H. Oppers 07-07-2010	Tyco Electronics Corporation Tyco Electronics Corporation 's-Hertogenbosch, Nederland	
DIMENSIONS: mm		CHK T.v.d. Meulen 07-07-2010	NAME AMPTRAC QUICK-FIT FOCASS MPO - 12xLC/PC D	
TOLERANCES UNLESS OTHERWISE SPECIFIED: 0 PLC ± - 1 PLC ± - 2 PLC ± - 3 PLC ± - 4 PLC ± - ANGLES ± -		APVD M.A.H. Oppers 07-07-2010	DRAWING NO A2 00779 C=1671209	
MATERIAL -		FINISH -	WEIGHT -	RESTRICTED TO -
CUSTOMER DRAWING		SCALE NTS	SHEET 2 of 2	REV A

1671209