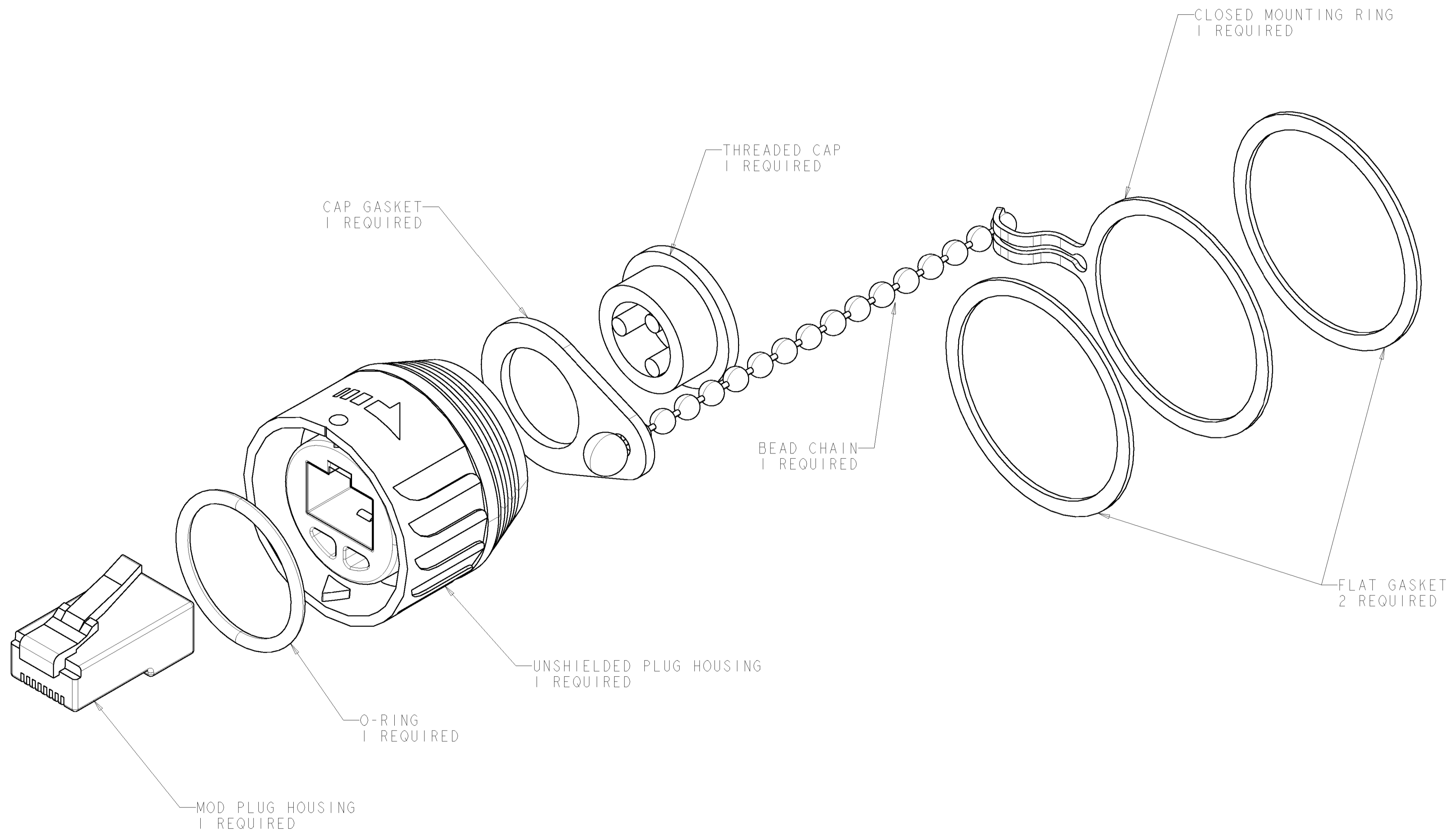


LOC	DIST	REVISIONS					
HM	00	P	LTR	DESCRIPTION	DATE	DWN	APVD
		A		RLSD: NPR NS004-110	18NOV2004	GG	MD

⚠ MATERIAL: PLUG HOUSING - POLYCARBONATE, CLEAR,
 PLUG RECEPTACLE HOUSING - PBT, 94V-0 RATED.
 O-RING SEALS - BUNA.
 CAP GASKET - NITRILE/NYLON
 THREADED CAP - NYLON
 MOUNTING RING - 301 STAINLESS STEEL, 1/2 HARD.
 BEAD CHAIN
 FLAT GASKETS

⚠ PACKAGED ONE MODULAR PLUG, ONE O-RING, ONE
 ETHERSEAL HOUSING, ONE CAP GASKET, ONE THREADED CAP,
 ONE BEAD CHAIN, ONE MOUNTING RING, AND TWO FLAT
 GASKETS PER POLYBAG. KIT SHIPPED NOT ASSEMBLED.

3. REFER TO INSTRUCTION SHEET 408-8874 FOR
 ASSEMBLY INSTRUCTIONS.



BLACK	⚠ 1479861-1
COLOR	PART NUMBER

<small>THE DIMENSIONS IN THIS DRAWING ARE UNLESS OTHERWISE SPECIFIED TO THE DIMENSIONS OF THE PARTS MANUFACTURED BY THE ORGANIZATION SHOWN IN THE DRAWING. DIMENSIONS ARE TO BE TAKEN TO THE CENTER UNLESS OTHERWISE SPECIFIED.</small>		DWN G. GARRETT 18NOV2004	Tyco Electronics Harrisburg, PA 17105-3608
DIMENSIONS: MM [INCHES]		ENR M. DELPHIAS 18NOV2004	NAME KIT, ETHERSEAL MOD JACK CAP WITH POSITIVE LATCHING
TOLERANCES UNLESS OTHERWISE SPECIFIED: 0 PLC ± 1 PLC ± 2 PLC ± 3 PLC ± 4 PLC ± ANGLES ±		APVD M. DELPHIAS 18NOV2004	
MATERIAL:		PRODUCT SPEC APPLICATION SPEC WEIGHT CUSTOMER DRAWING	SIZE: CAGE CODE DRAWING NO A 00779 C=1479861
AMP 4895 REV 31MAR2000 Pro/ENGINEER DRAWING		SCALE 3:1 SHEET 1 OF 1 REV A	RESTRICTED TO