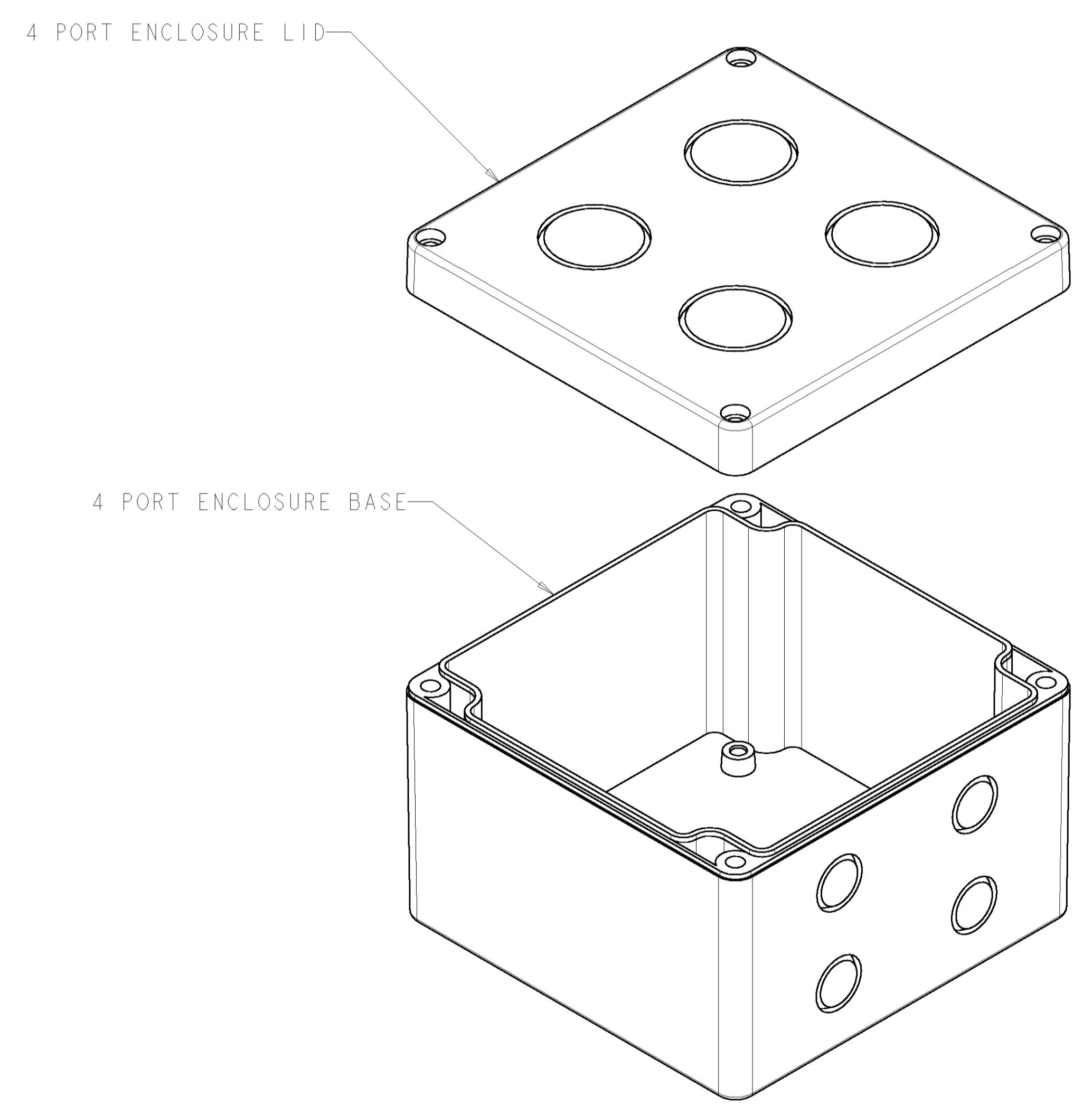
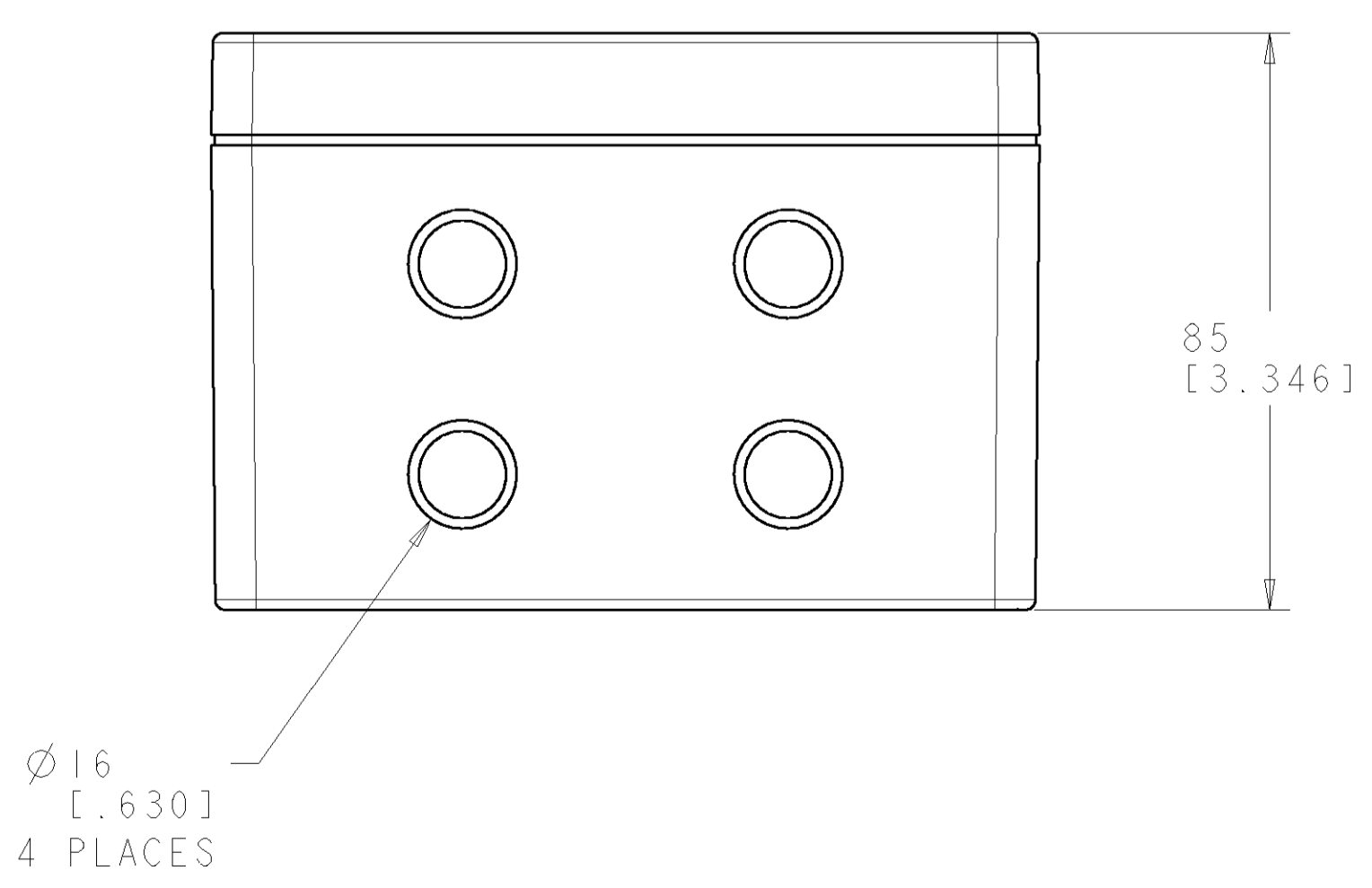
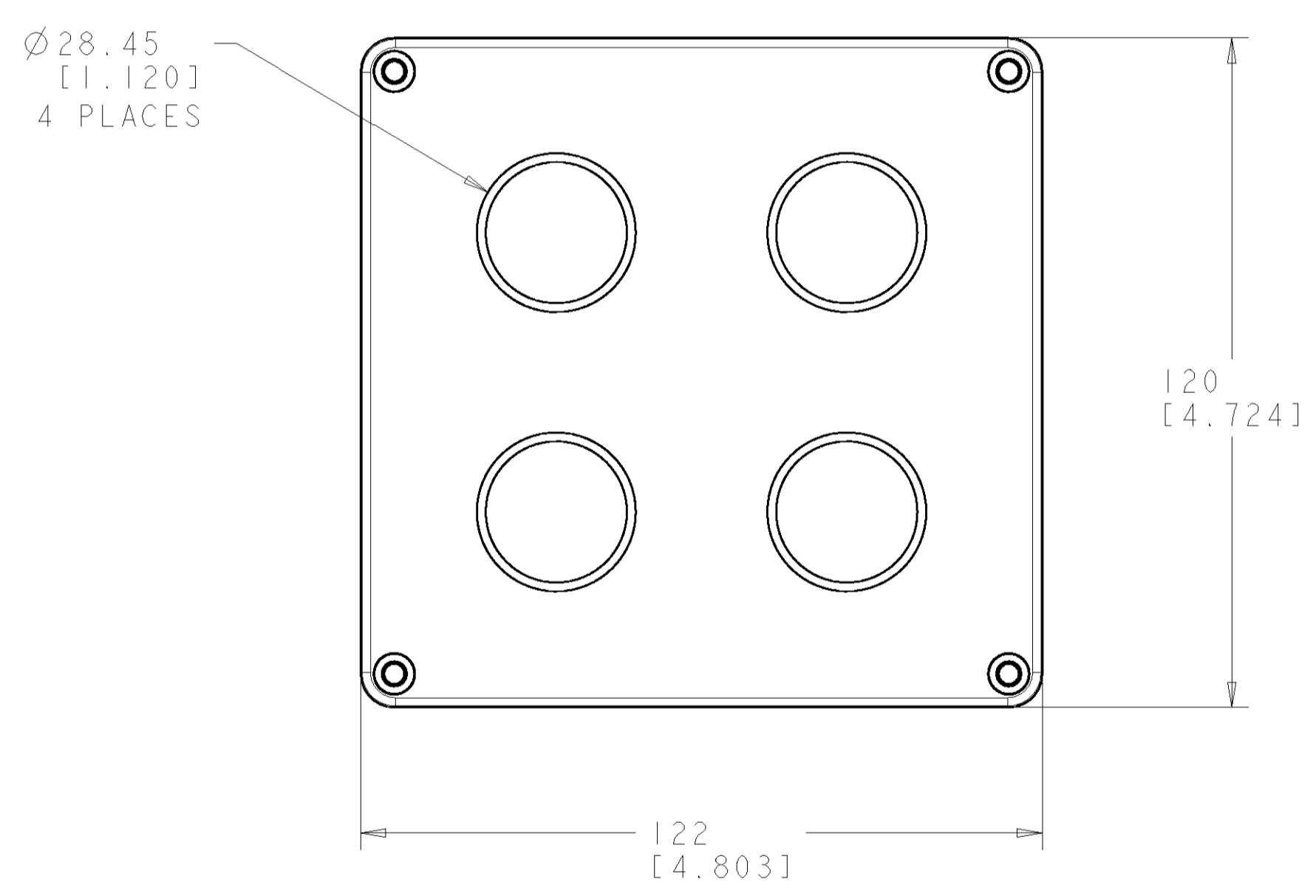
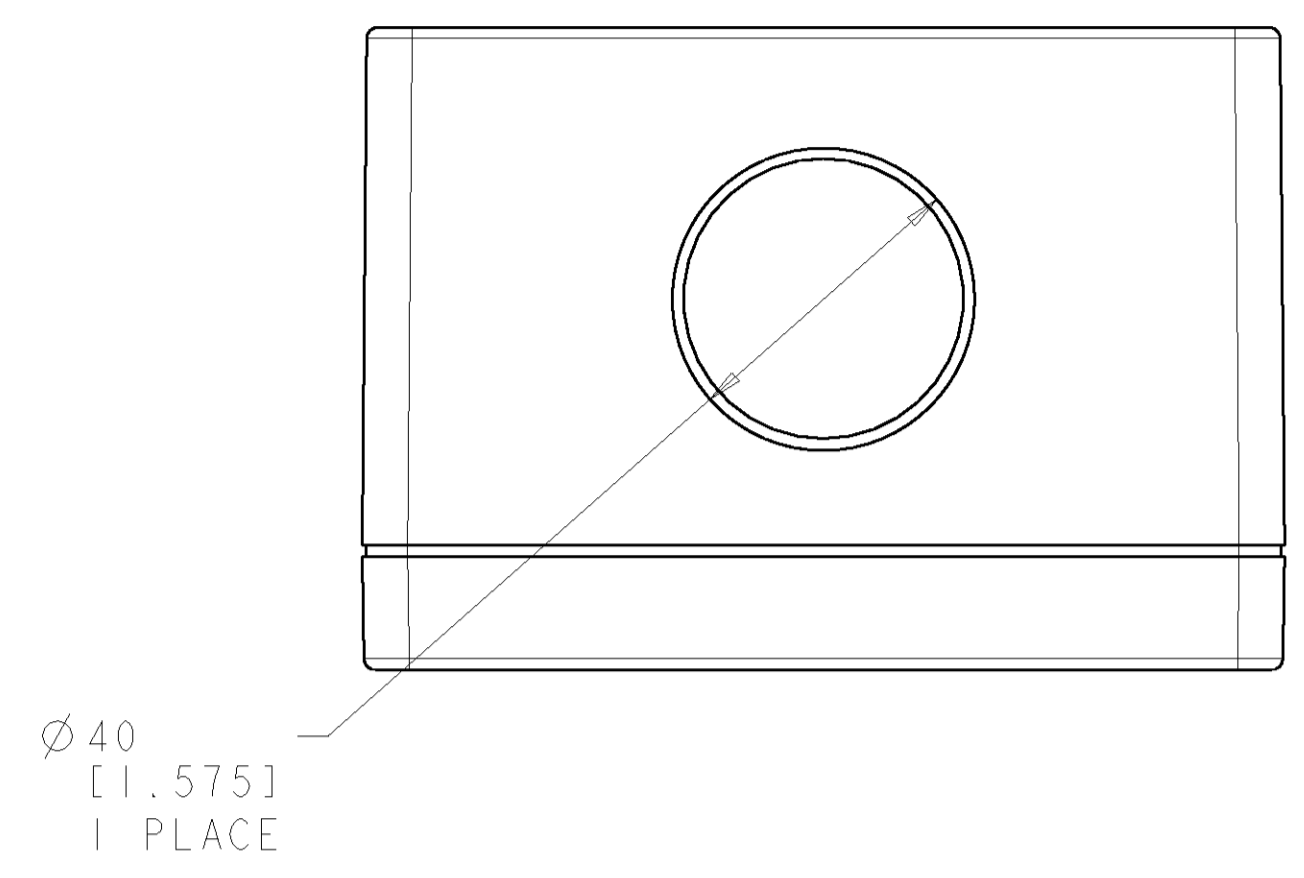


LOC		DIST		REVISIONS			
HM	00	P	LTR	DESCRIPTION	DATE	DWN	APVD
		A		RLSD: NPR NS004-029	08SEP2004	GG	PP

⚠ MATERIAL: BASE AND LID - POLYCARBONATE MOLDING COMPOUND.
 ⚠ ALL DIMSNTS SHOWN ARE NOMINAL.



1479655-1
PART NUMBER

DIMENSIONS: MMI [INCHES]		TOLERANCES UNLESS OTHERWISE SPECIFIED:		DWN G. GARRETT 08SEP2004 ENK P. PEPE 08SEP2004 APVD P. PEPE 08SEP2004		tyco Tyco Electronics Harrisburg, PA 17105-3608	
0 PLC ± 1 PLC ± 2 PLC ± 3 PLC ± 4 PLC ± ANGLES ±	± ± ± ± ±	± ± ± ± ±	± ± ± ± ±	PRODUCT SPEC APPLICATION SPEC WEIGHT CUSTOMER DRAWING	NAME ETHERSEAL 4 PORT ENCLOSURE, INDOOR/OUTDOOR	SIZE A 00779 C=1479655	RESTRICTED TO SCALE 1:1 SHEET 1 OF 1 REV A