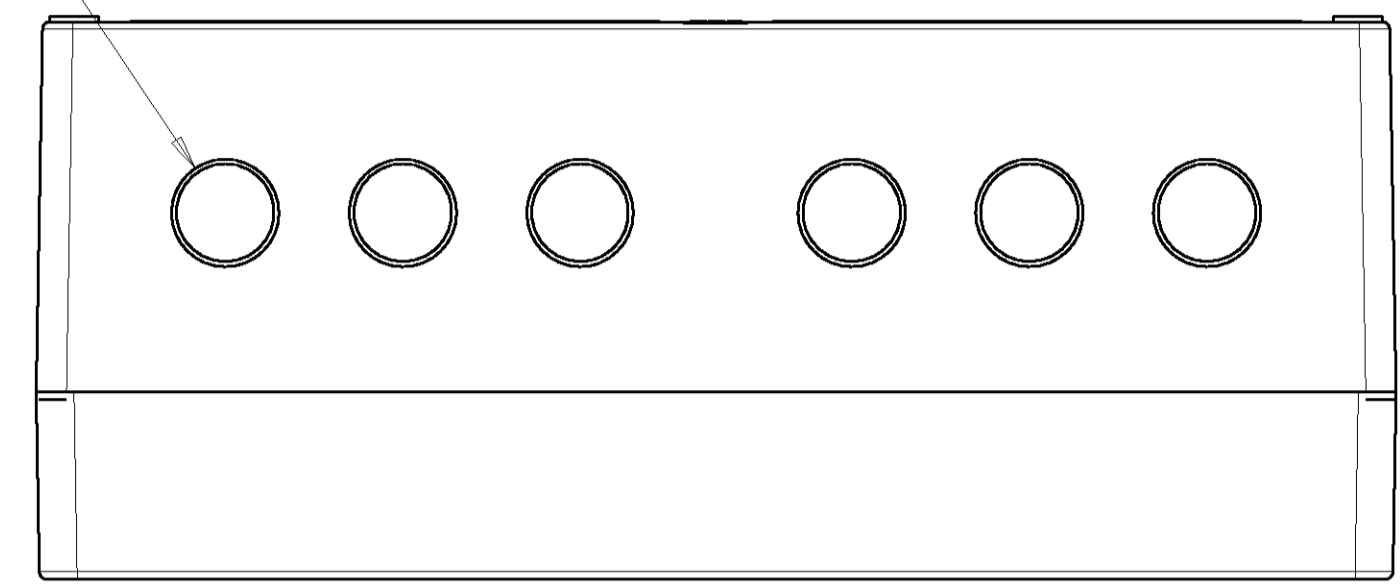
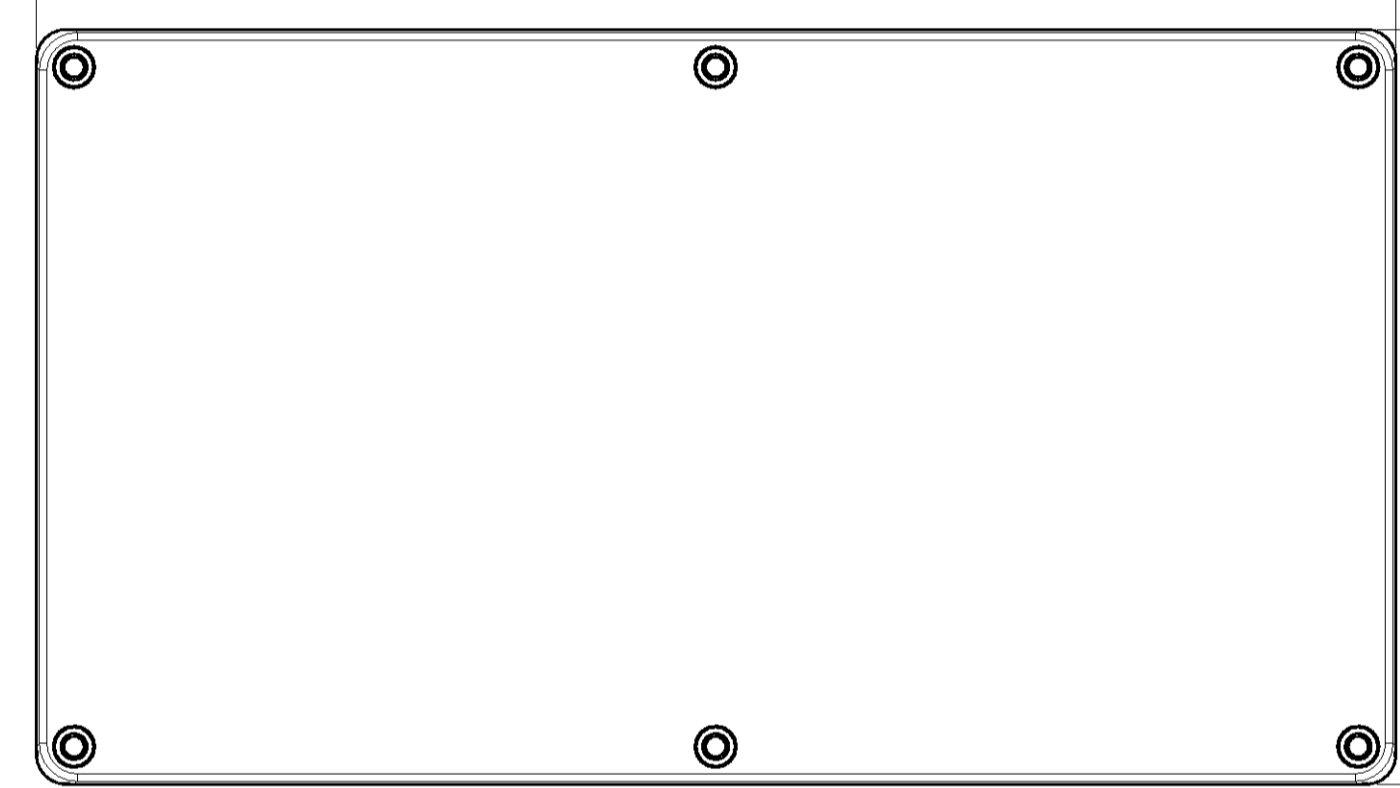


LOC		DIST		REVISIONS			
HM	00	P	LTR	DESCRIPTION	DATE	DWN	APVD
		A		RLSD: NPR NS004-029	08SEP2004	GG	PP

Ø28.45  
 [1.120]  
 6 PLACES

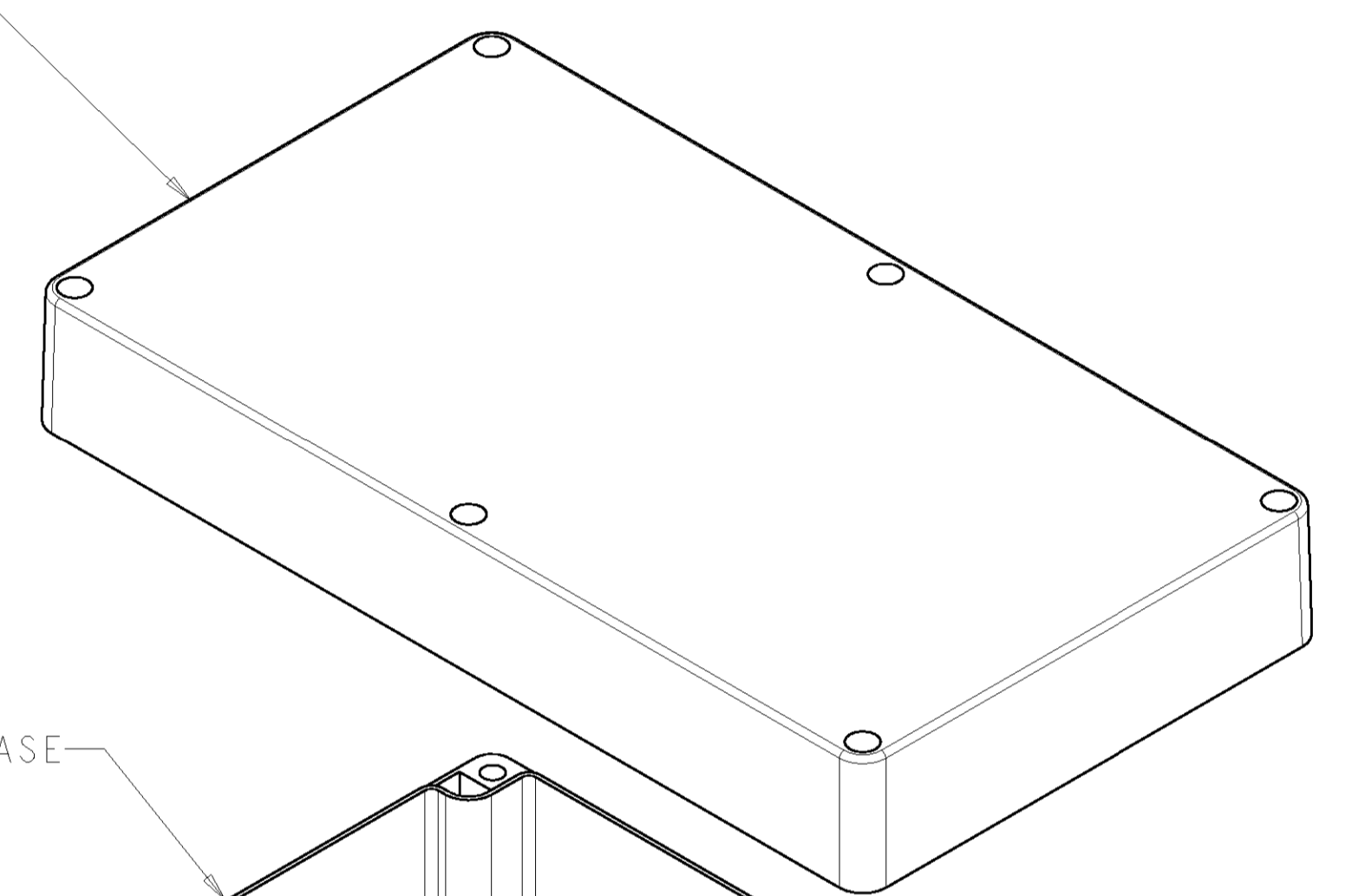


360  
 [14.173]

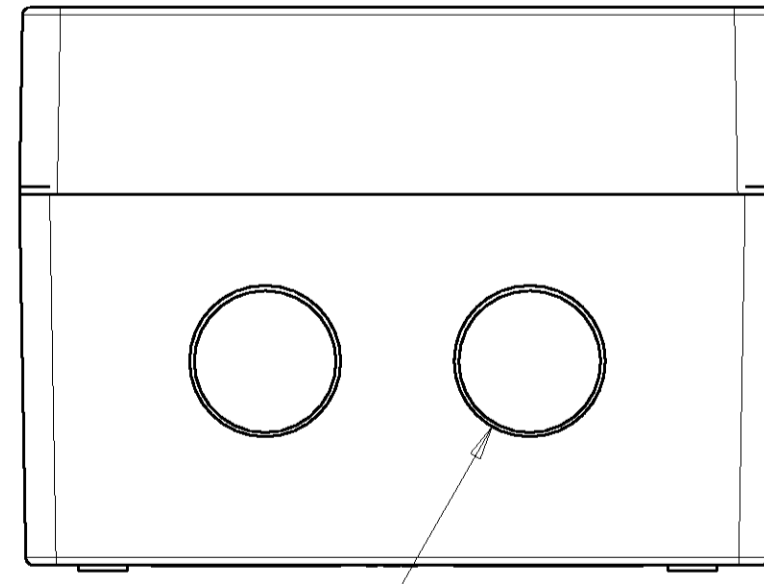
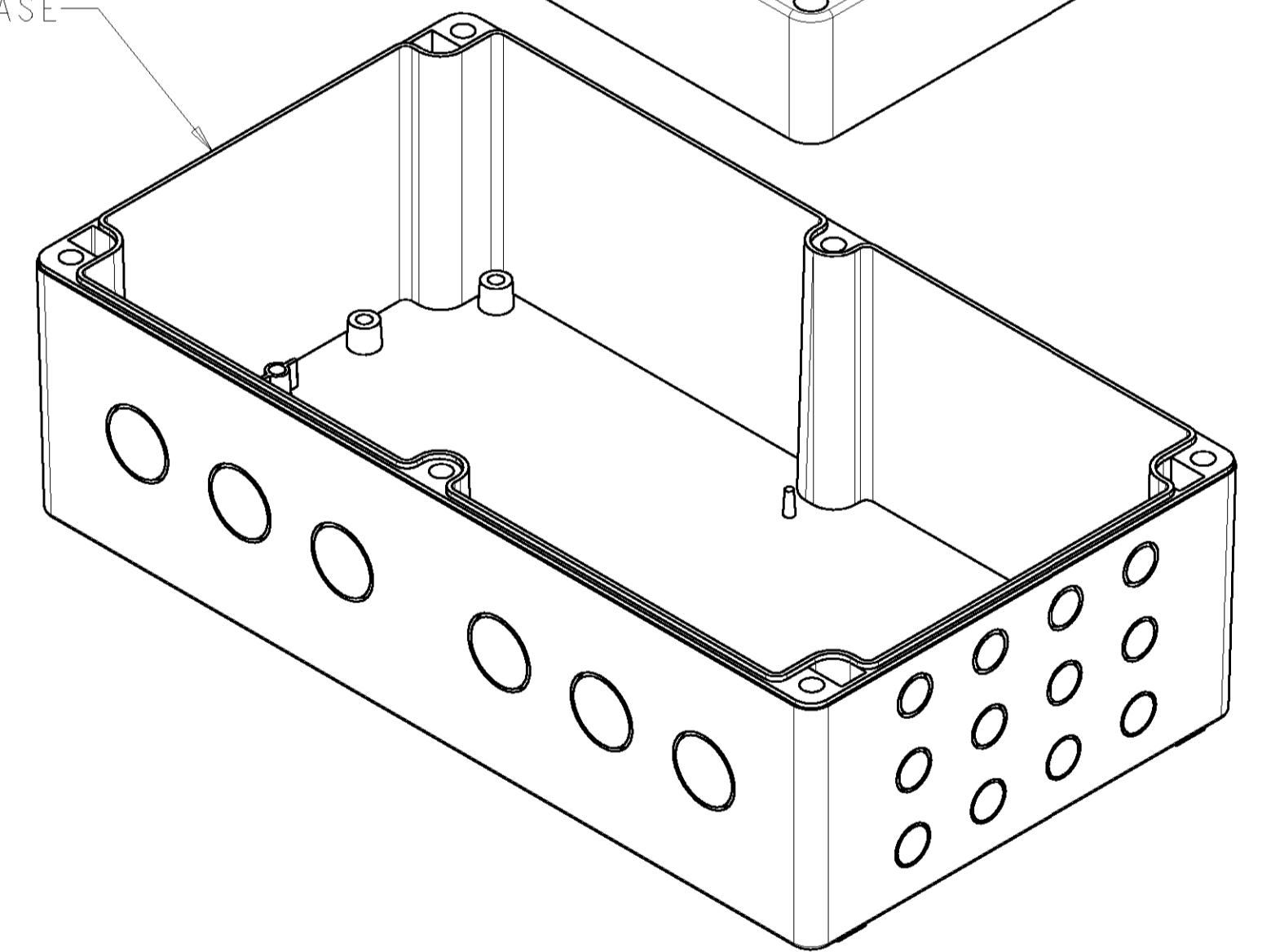


200  
 [7.874]

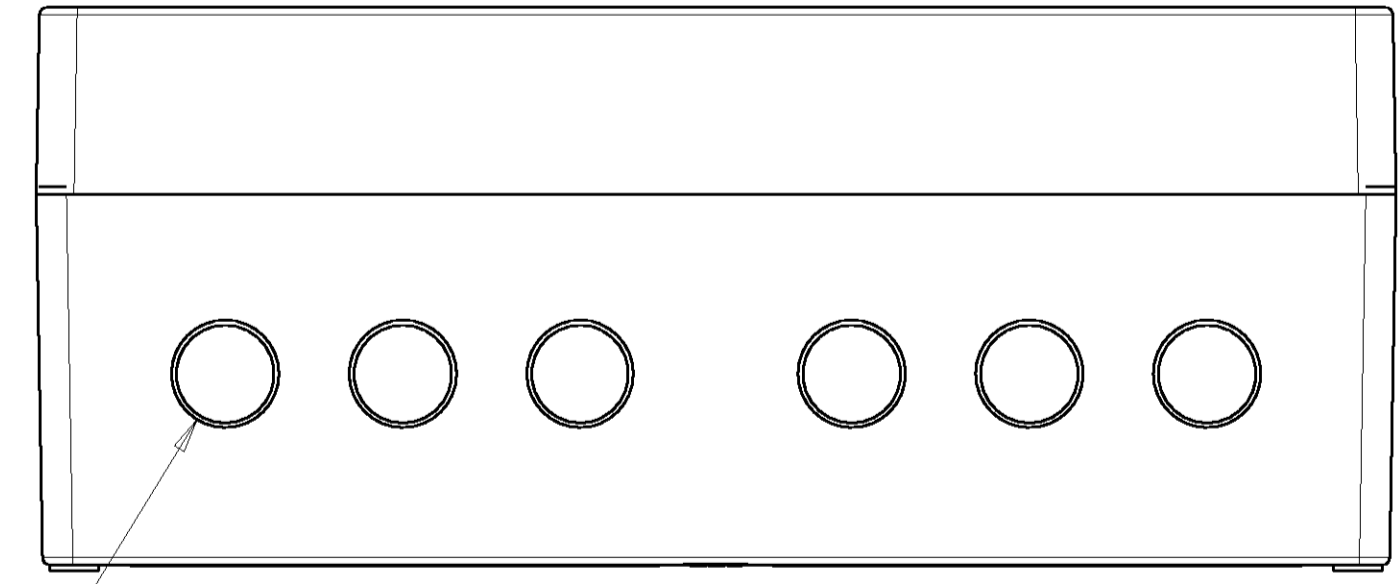
12 PORT ENCLOSURE LID



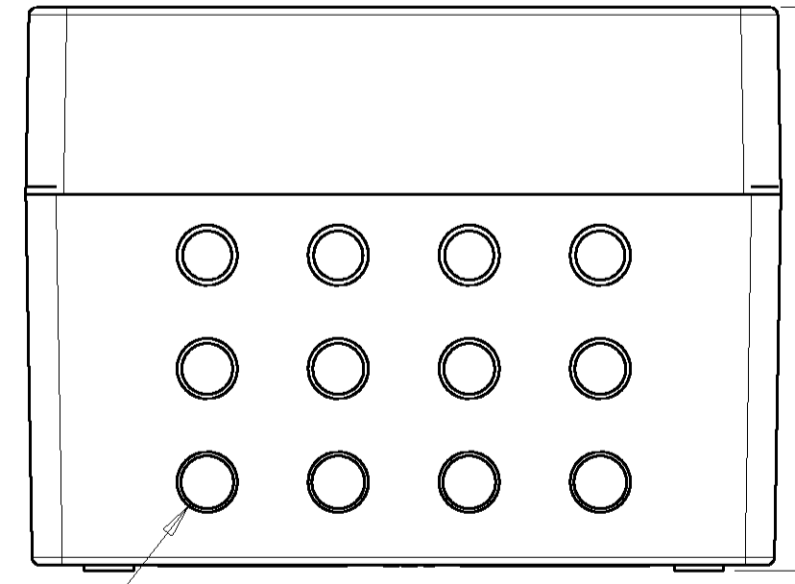
12 PORT ENCLOSURE BASE



Ø40  
 [1.575]  
 2 PLACES



Ø28.45  
 [1.120]  
 6 PLACES



Ø16  
 [.630]  
 12 PLACES

149  
 [5.866]

1479654-1  
 PART NUMBER

DIMENSIONS: MM [INCHES]		TOLERANCES UNLESS OTHERWISE SPECIFIED:		DWN G. GARRETT 08SEP2004 ENR P. PEPE 08SEP2004 APVD P. PEPE 08SEP2004		<b>tyco</b> Electronics Tyco Electronics Harrisburg, PA 17105-3608	
0 PLC ± 1 PLC ± 2 PLC ± 3 PLC ± 4 PLC ± ANGLES ±	± ± ± ± ±	± ± ± ± ±	± ± ± ± ±	NAME ETHERSAL 12 PORT ENCLOSURE, INDOOR/OUTDOOR		SIZE CAGE CODE DRAWING NO A 100779 C-1479654	
MATERIAL:		FINISH:		WEIGHT:		RESTRICTED TO:	
CUSTOMER DRAWING		SCALE 1:2		SHEET 1 OF 1		REV A	