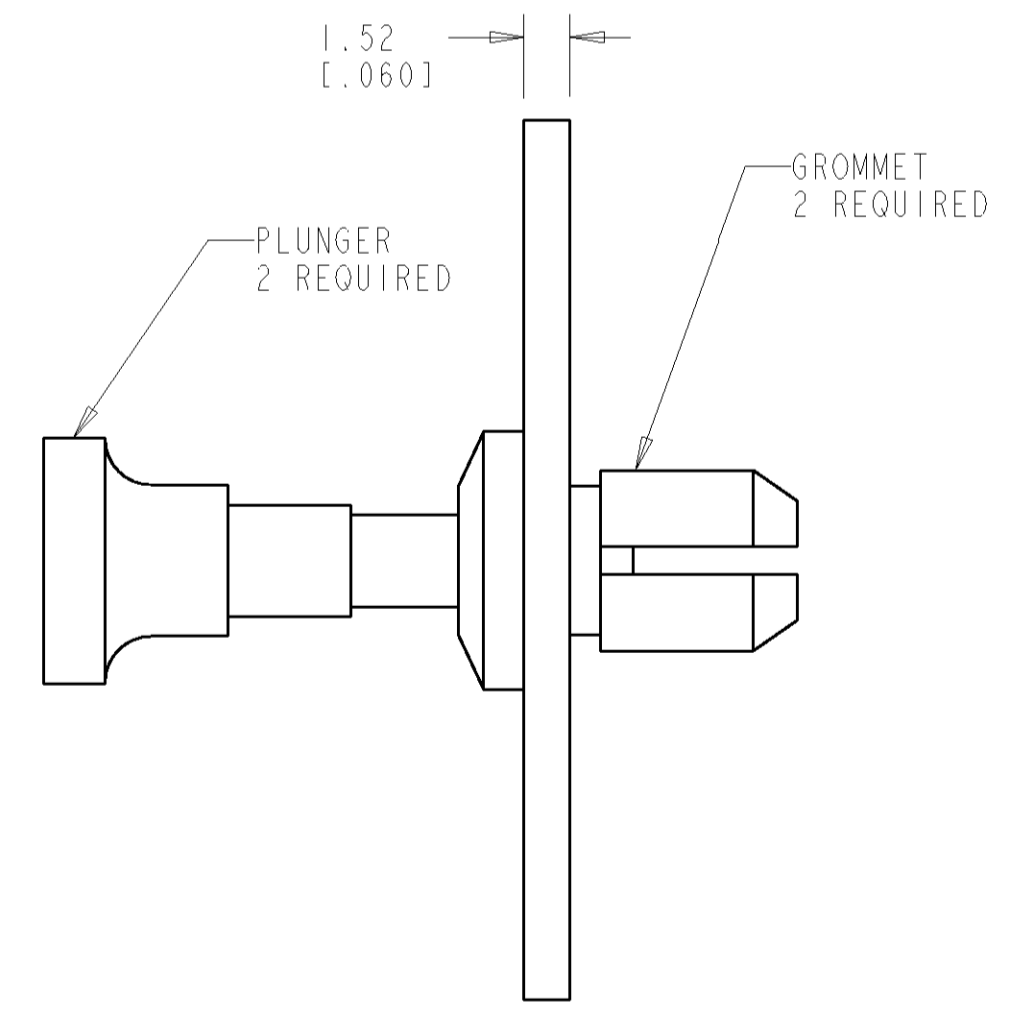
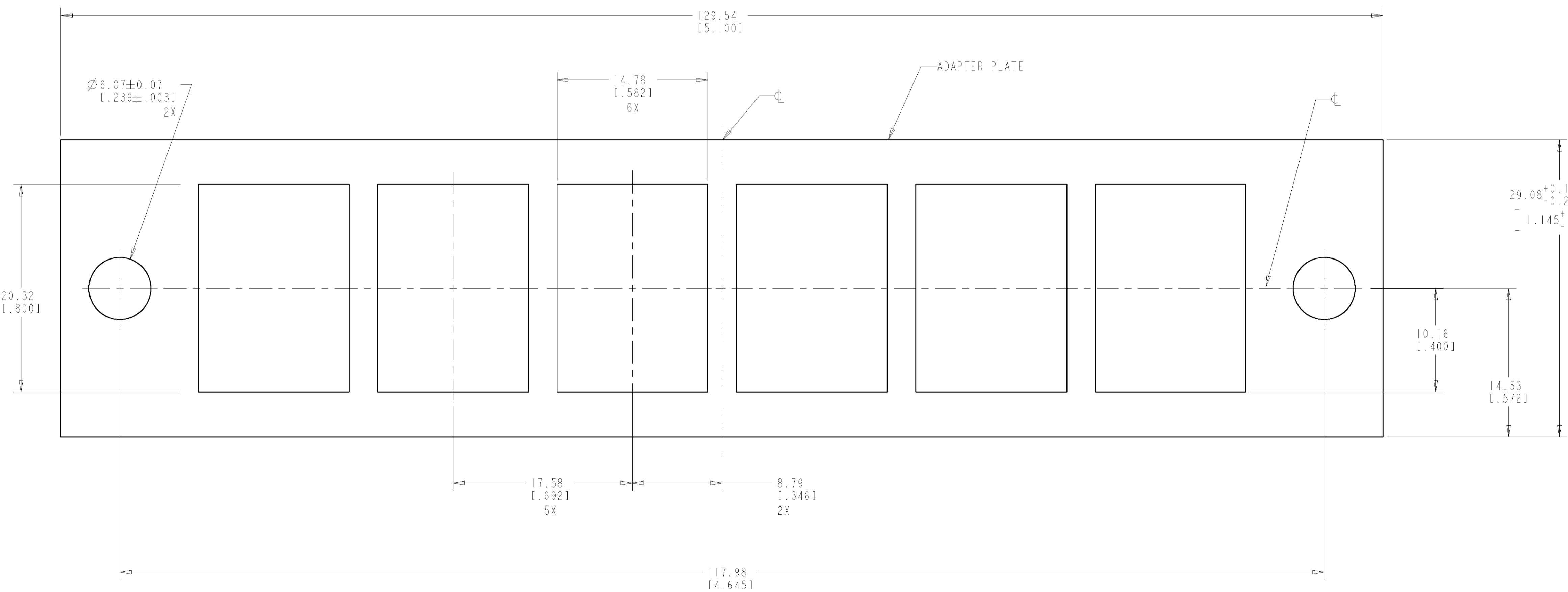


| LOC | DIST | REVISIONS | | | | | |
|-----|------|-----------|-----|----------------------------|-----------|-----|------|
| | | P | LTR | DESCRIPTION | DATE | DWN | APVD |
| HM | 00 | A | | RELEASED PER NPR NSD03-034 | 10JUL03 | LH | SH |
| | | B | | REV: ECO-07-023323 | 10OCT2007 | GG | SH |

△ MATERIAL:
 ADAPTER PLATE: CARBON STEEL, 1479506-1 BLACK,
 1479506-7 RED.
 PLUNGER: NYLON, COLOR: BLACK
 GROMMET: NYLON, COLOR: BLACK
 3. DIMENSIONS SHOWN ARE NOMINAL
 UNLESS OTHERWISE NOTED.



| | |
|-------|-----------|
| RED | 1479506-7 |
| BLACK | 1479506-1 |
| COLOR | PART NO. |

| | | | | | | | |
|--|--|--|------------|---------|---|------------------------------|--|
| <small>THIS DRAWING IS UNPUBLISHED. RELEASED FOR PUBLICATION BY TYCO ELECTRONICS CORPORATION. ALL RIGHTS RESERVED.</small> | | DWN | L. HALL | 10JUL03 | | TYCO ELECTRONICS CORPORATION | |
| <small>THIS DRAWING IS UNPUBLISHED. RELEASED FOR PUBLICATION BY TYCO ELECTRONICS CORPORATION. ALL RIGHTS RESERVED.</small> | | CHK | L. SMITH | 10JUL03 | | Harrisburg, PA 17105-3608 | |
| <small>THIS DRAWING IS UNPUBLISHED. RELEASED FOR PUBLICATION BY TYCO ELECTRONICS CORPORATION. ALL RIGHTS RESERVED.</small> | | APVD | S. HERNDON | 10JUL03 | NAME | | |
| <small>THIS DRAWING IS UNPUBLISHED. RELEASED FOR PUBLICATION BY TYCO ELECTRONICS CORPORATION. ALL RIGHTS RESERVED.</small> | | DIMENSIONS: MM [INCHES] | | | ADAPTER PLATE ASSY KIT, SL SERIES FOR FIBER BOX | | |
| <small>THIS DRAWING IS UNPUBLISHED. RELEASED FOR PUBLICATION BY TYCO ELECTRONICS CORPORATION. ALL RIGHTS RESERVED.</small> | | TOLERANCES UNLESS OTHERWISE SPECIFIED: | | | PRODUCT SPEC | | |
| <small>THIS DRAWING IS UNPUBLISHED. RELEASED FOR PUBLICATION BY TYCO ELECTRONICS CORPORATION. ALL RIGHTS RESERVED.</small> | | 0 PLC ± | | | APPLICATION SPEC | | |
| <small>THIS DRAWING IS UNPUBLISHED. RELEASED FOR PUBLICATION BY TYCO ELECTRONICS CORPORATION. ALL RIGHTS RESERVED.</small> | | 1 PLC ± | | | SIZE | | |
| <small>THIS DRAWING IS UNPUBLISHED. RELEASED FOR PUBLICATION BY TYCO ELECTRONICS CORPORATION. ALL RIGHTS RESERVED.</small> | | 2 PLC ± | | | CAGE CODE | | |
| <small>THIS DRAWING IS UNPUBLISHED. RELEASED FOR PUBLICATION BY TYCO ELECTRONICS CORPORATION. ALL RIGHTS RESERVED.</small> | | 3 PLC ± | | | DRAWING NO | | |
| <small>THIS DRAWING IS UNPUBLISHED. RELEASED FOR PUBLICATION BY TYCO ELECTRONICS CORPORATION. ALL RIGHTS RESERVED.</small> | | 4 PLC ± | | | RESTRICTED TO | | |
| <small>THIS DRAWING IS UNPUBLISHED. RELEASED FOR PUBLICATION BY TYCO ELECTRONICS CORPORATION. ALL RIGHTS RESERVED.</small> | | 5 PLC ± | | | A | | |
| <small>THIS DRAWING IS UNPUBLISHED. RELEASED FOR PUBLICATION BY TYCO ELECTRONICS CORPORATION. ALL RIGHTS RESERVED.</small> | | 6 PLC ± | | | 00779 | | |
| <small>THIS DRAWING IS UNPUBLISHED. RELEASED FOR PUBLICATION BY TYCO ELECTRONICS CORPORATION. ALL RIGHTS RESERVED.</small> | | 7 PLC ± | | | C=1479506 | | |
| <small>THIS DRAWING IS UNPUBLISHED. RELEASED FOR PUBLICATION BY TYCO ELECTRONICS CORPORATION. ALL RIGHTS RESERVED.</small> | | 8 PLC ± | | | SCALE | | |
| <small>THIS DRAWING IS UNPUBLISHED. RELEASED FOR PUBLICATION BY TYCO ELECTRONICS CORPORATION. ALL RIGHTS RESERVED.</small> | | ANGLES | | | 4:1 | | |
| <small>THIS DRAWING IS UNPUBLISHED. RELEASED FOR PUBLICATION BY TYCO ELECTRONICS CORPORATION. ALL RIGHTS RESERVED.</small> | | FINISH | | | SHEET | | |
| <small>THIS DRAWING IS UNPUBLISHED. RELEASED FOR PUBLICATION BY TYCO ELECTRONICS CORPORATION. ALL RIGHTS RESERVED.</small> | | MATERIAL | | | OF | | |
| <small>THIS DRAWING IS UNPUBLISHED. RELEASED FOR PUBLICATION BY TYCO ELECTRONICS CORPORATION. ALL RIGHTS RESERVED.</small> | | CUSTOMER DRAWING | | | REV | | |
| <small>THIS DRAWING IS UNPUBLISHED. RELEASED FOR PUBLICATION BY TYCO ELECTRONICS CORPORATION. ALL RIGHTS RESERVED.</small> | | WEIGHT | | | B | | |