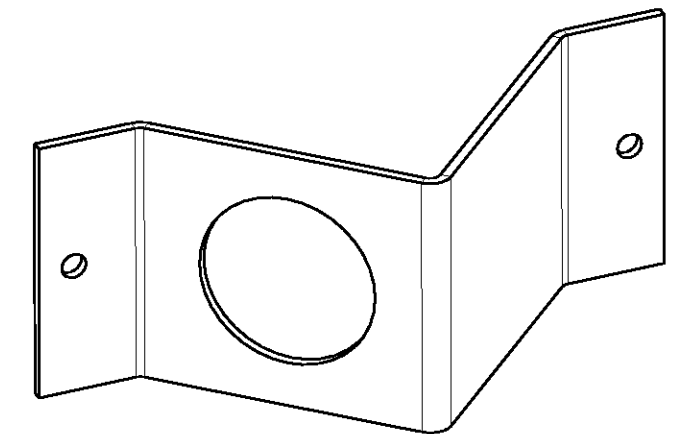
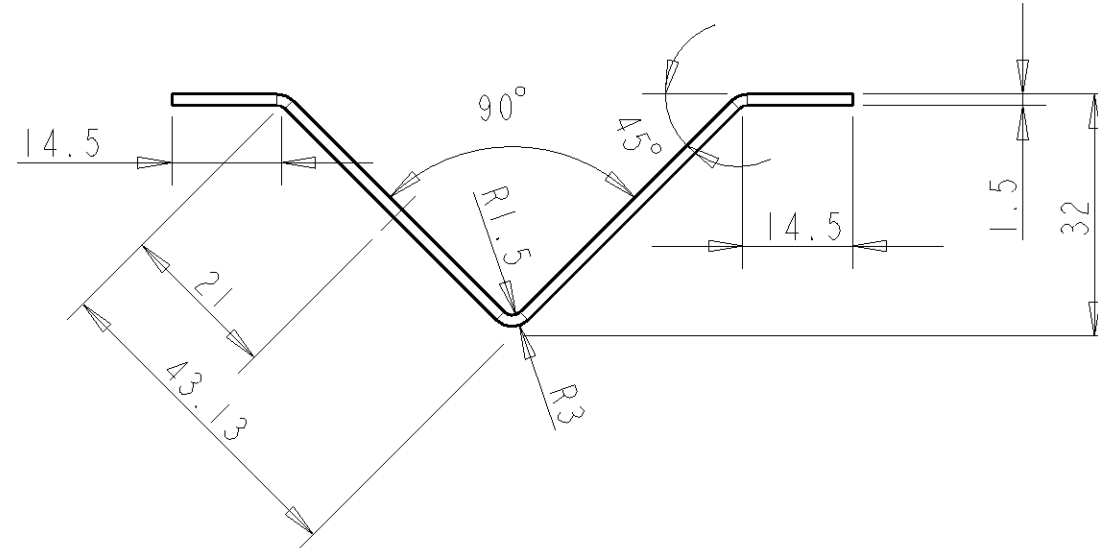
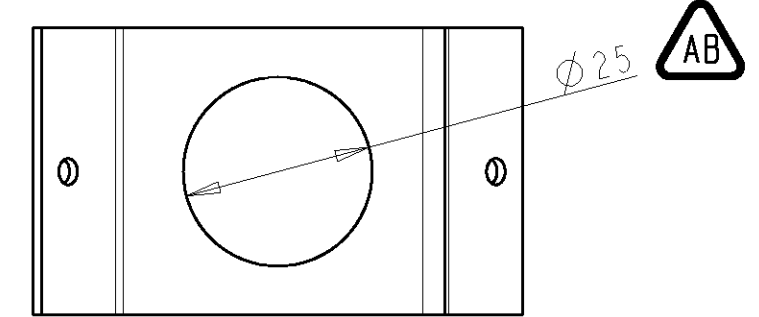
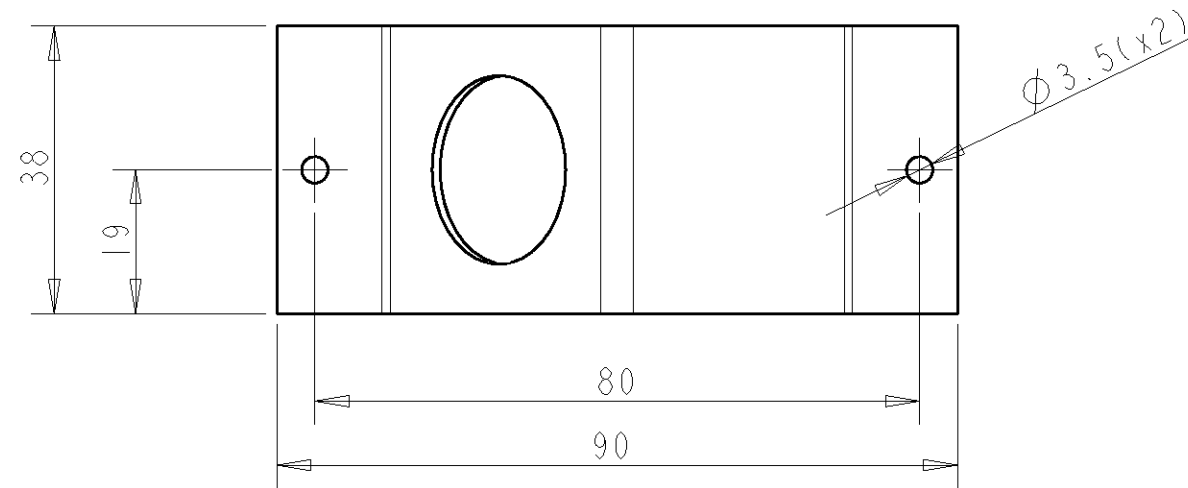
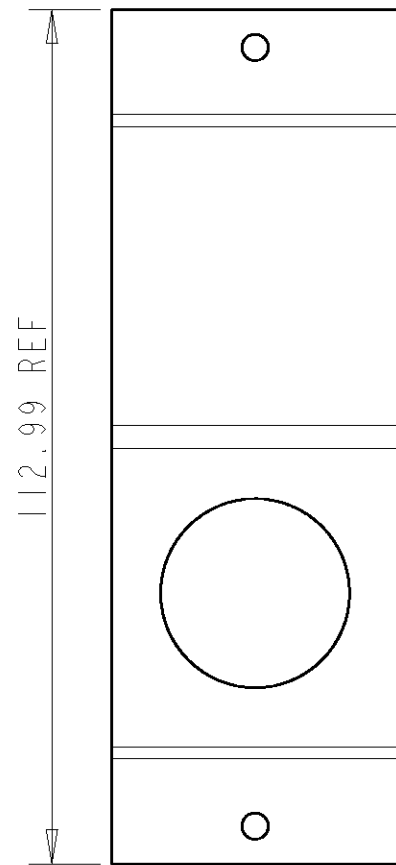


FLAT STATE



SCALE 1.000

Tolerances for sheet thickness over 1 up to 3mm			
NOMINAL (mm) Over x-up to y	Din 6930-2/1m Lin.Tolerances Flat (a)	Din 6930-2/2m Rounds & Radii Flat & non-flat (c)	Din 6930-2/3m Angles (b) Flat & non-flat
1-6	±0.15	±0.30	±1°30'
6-10	±0.20	±0.40	±1°30'
10-25	±0.25	±0.50	±0°50'
25-63	±0.30	±0.60	±0°50'
63-160	±0.40	±1.00	±0°25'
160-400	±0.60	±1.20	±0°15'
400-1000	±0.80	±2.00	±0°10'
1000-6300	±1.50	±2.00	±0°10'

(a) for bent parts add ±0.25mm per bend that affects this dimension
 (b) for angles : nominal = length of the shortest leg
 (c) typical internal bend radius = sheet thickness
 (unless specified otherwise)

		0-1418770-1	
		PART NUMBER	
CUSTOMER DRAWING		AMP drawing N° : 1418770 MAT: -	
DRAWING STATUS	REVISION DESCRIPTION: - Dimension hole changed.		
RELEASED	DRAWING BY NAME: H. BLEUS DATE: 09-FEB-04	DRAWING REVISION BY NAME: - DATE: -	VOLUME OF MOULDED PART OR AREA OF UNFOLDED SHEETMETAL PART. Cm³ / Cm²
SCALE: 1000	DRAWING FORMAT A3	DRAWING TITLE	
ISO-SYMBOL 	GENERAL TOLERANCE	CABLE ENTRY PORT 45 DEG.	
tyco / Electronics		DRAWING_SHEET_REVISION NUMBER D_0011568_01_AB	REVISION AB
TYCO/Electronics - Raychem N.V. DIESTSESTEENWEG 692 B-3010 KESSEL-LO, BELGIUM		THIS DRAWING AND INFORMATION SET FORTH HEREON ARE THE PROPERTY OF TYCO/Electronics/Raychem N.V. AND ARE TO BE HELD IN TRUST AND CONFIDENCE. PUBLICATION, DUPLICATION, DISCLOSURE OR USE FOR ANY PURPOSE NOT EXPRESSLY AUTHORIZED IN WRITING BY TYCO/Electronics IS PROHIBITED.	